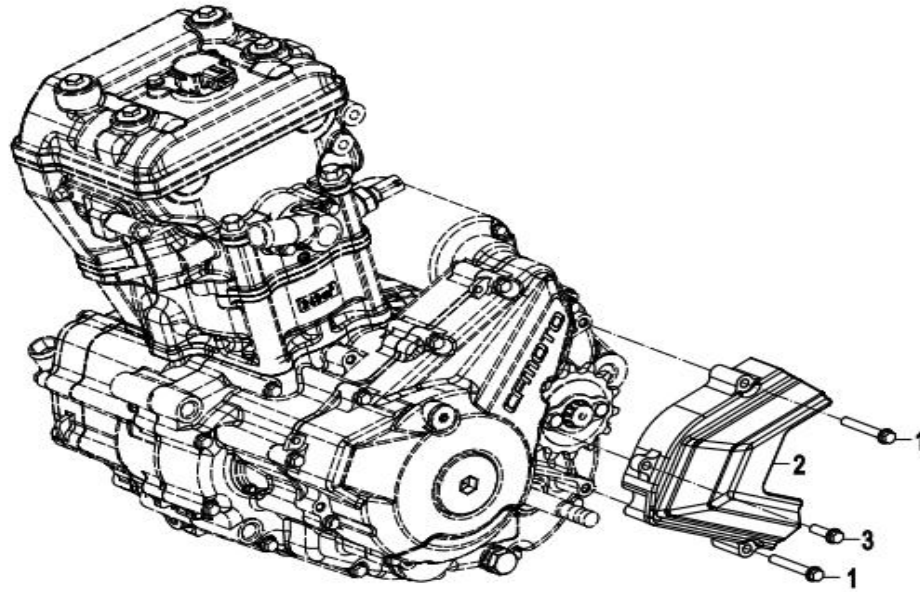
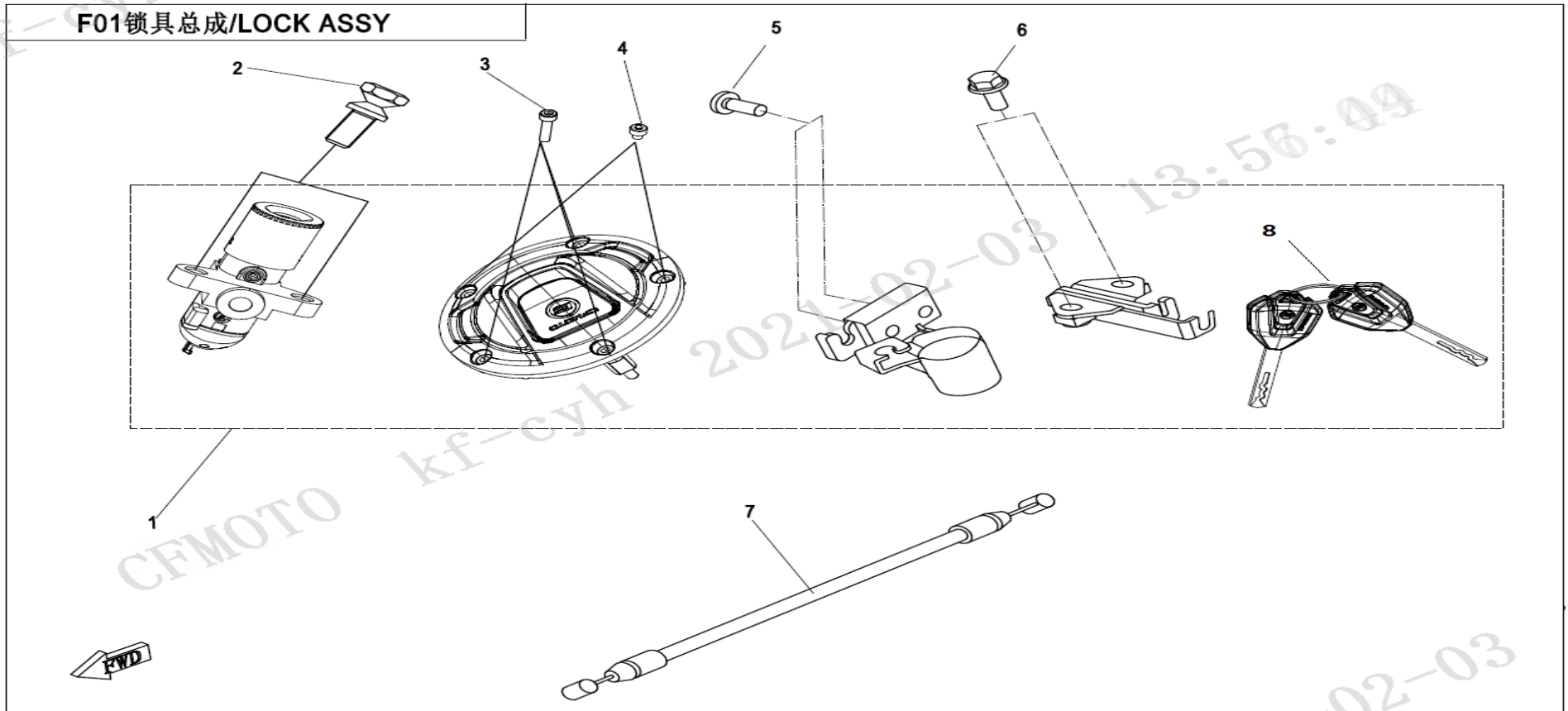


发动机安装附件/ENGINE FITTINGS



F00 发动机安装附件 ENGINE FITTINGS

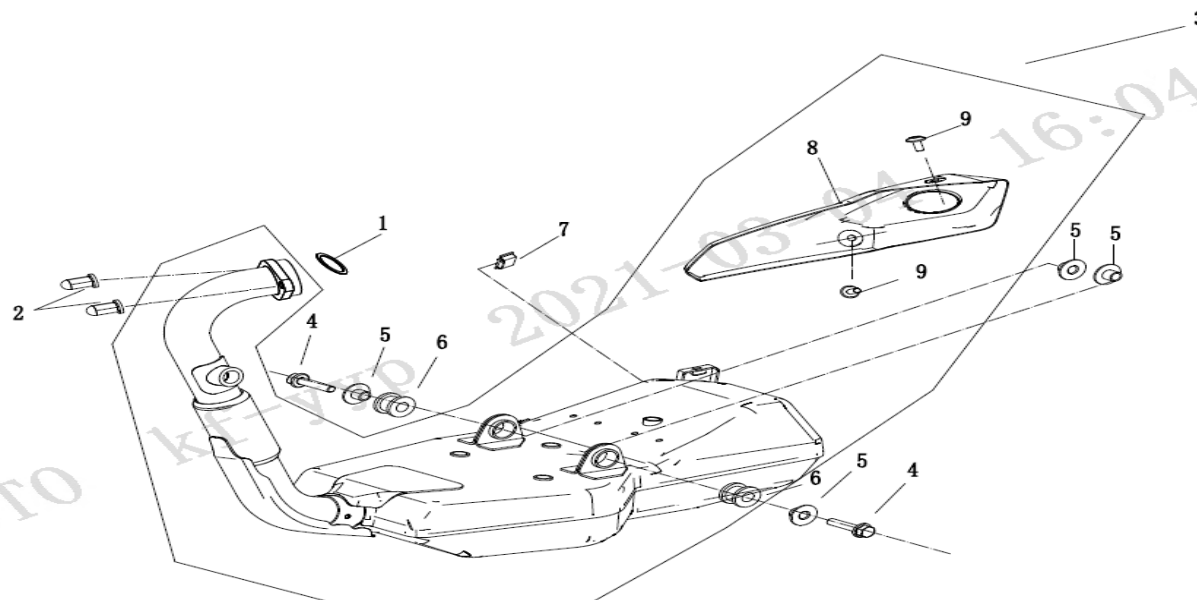
Item No.	Parts Number	Parts Name(EN)	Parts Name(CN)	Qty	Specification
01	0010-013009-0010	BOLT M6x40	螺栓	2	M6x40
02	ODM0-014100	REAR COVER ASSY, LH	左后盖组合	1	
03	0010-023010-0010	BOLT M6x20	螺栓	1	M6x20



F01 锁具 LOCK KITS

Item No.	Parts Number	Parts Name(EN)	Parts Name(CN)	Qty	Specification
01	6KMV-011000-B001	LOCK KIT	锁具组合	1	
02	6KJ0-010001	BOLT	断头螺栓	2	
03	30102-050025900	INNER HEX SCREW M5x25	内六角圆柱头螺钉	3	M5x25
04	30102-050008900	INNER HEX SCREW M5x8	内六角圆柱头螺钉	2	M5x8
05	30110-421130010	SCREW	自攻螺钉	2	ST4.2x13
06	30006-060012810	BOLT M6x12	螺栓M6×12	2	M6x12
07	6KM0-010010	SEAT CABLE	座垫拉索	1	
08	6KMV-011020-B001	KEY	钥匙	2	

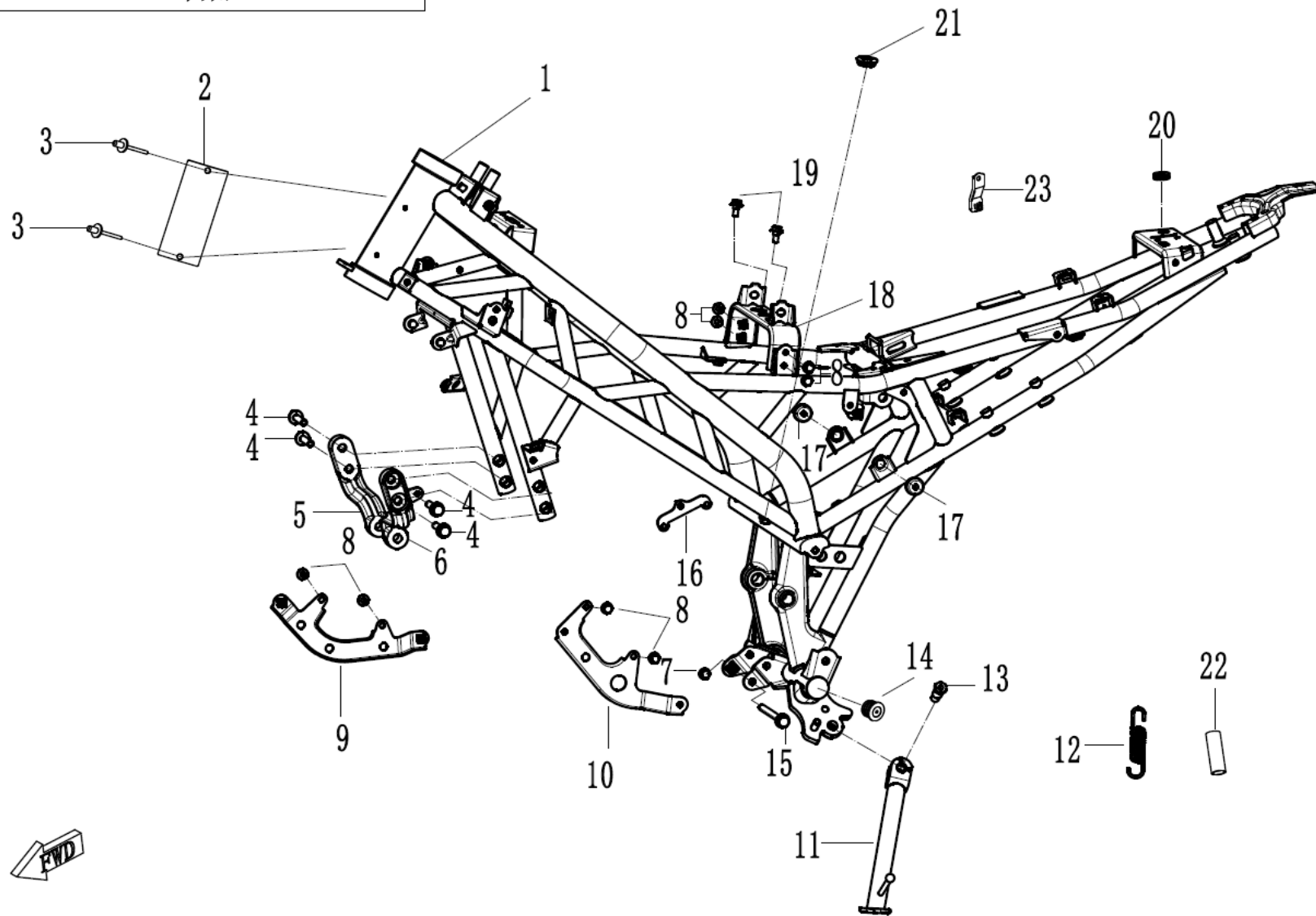
F02 消声器/MUFFLER



F02-B 消声器(三井) MUFFLER

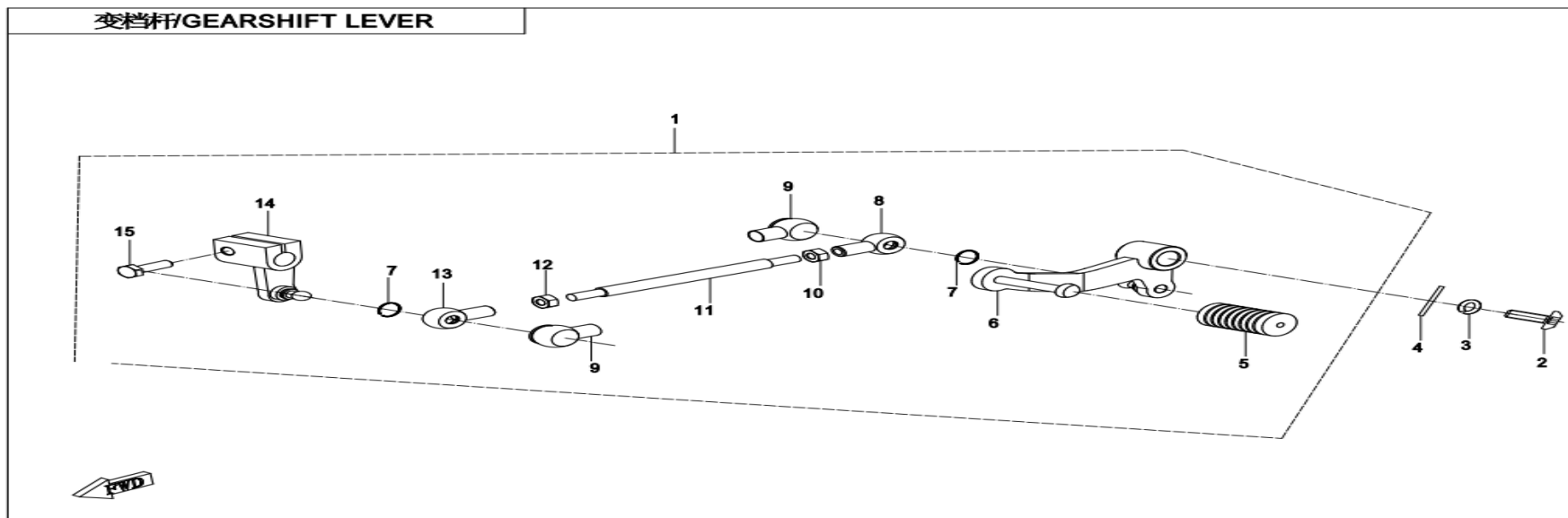
Item No.	Parts Number	Parts Name(EN)	Parts Name(CN)	Qty	Specification
1	6KM0-020010	SEAL WASHER, EXHAUST PORT	排气口密封垫	1	
2	8010-020001	NUT M8, MUFFLER JOINT	消声器接头螺母M8	2	M8
3	6KMV-021000-B500	MUFFLER	消声器组合	1	for MSE8.0
4	30006-080035810	BOLT M8x35	螺栓	2	M8x35
5	A000-020005	BUSHING	衬套	2	
6	A000-020004	DAMPER, MUFFLER	消声器缓冲套	2	
7	6GU#-021005-6000	GUARD RUBBER SLEEVE	护罩橡胶套	1	
8	6KMV-021001-B000	MUFFLER GUARD	消声器护罩	1	
9	A000-040702	INNER HEX SCREW M6x12	内六角螺钉M6×12	2	M6x12

F03 车架/FRAME



F03-1 车架 FRAME

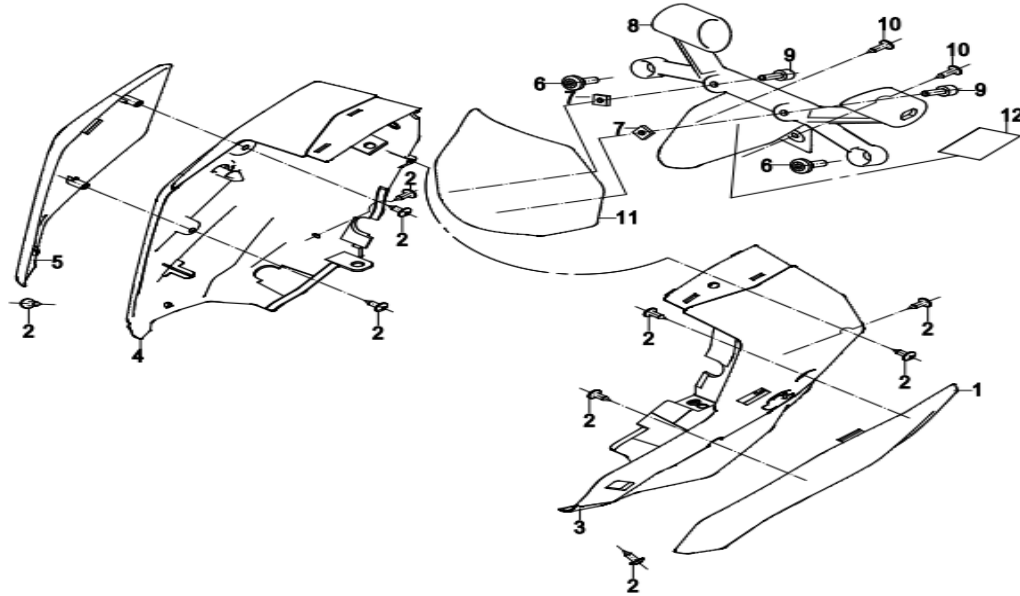
Item No.	Parts Number	Parts Name(EN)	Parts Name(CN)	Qty	Specification
01	6KMV-031000-B000-01-0BP00	FRAME ASSY	车架焊接组件	1	
01	6KMV-031000-B001-01-0BP00	MAIN FRAME ASSY	主车架焊接组件	1	MAUD SPIRIT BLACK
01	6KMV-031000-B002-01-0BP00	FRONT FRAME ASSY	主车架焊接组件	1	
01	6KMV-031000-B002-01-0EK00	FRONT FRAME ASSY	主车架焊接组件	1	
04	6KM0-140107	BOLT M8	凸台螺栓	4	M8
05	6KM0-030006-1B200	RH MOUNTING BRACKET, ENGINE	发动机右安装支架	1	MATTE BLACK
06	6KM0-030005-1B200	LH MOUNTING BRACKET, ENGINE	发动机左安装支架	1	MATTE BLACK
07	30006-102110110	BOLT M10x1.25x110	螺栓	1	M10x1.25x110
08	30006-060012810	BOLT M6x12	螺栓M6×12	8	M6x12
09	6KM0-030020-0B200	BRACKET, ENGINE RH PANEL	发动机右护板安装支架	1	MATTE BLACK
10	6KM0-030010-0B200	BRACKET, ENGINE LH PANEL	发动机左护板安装支架	1	MATTE BLACK
11	6KMV-030200-B000	SIDE BRACKET ASSY	侧支架焊接组件	1	
12	A000-030210	SPRING, SIDE STAND	边撑弹簧组合	1	
13	A000-030006	BOLT, SIDE STAND	侧支架螺栓	1	
14	6KJ0-030503	RUBBER PLUG	车架横管橡胶塞	1	
15	30006-080090810	BOLT M8x90	螺栓	1	M8x90
16	6KM0-030030-0B200	BRACKET, CANISTER	炭罐安装支架	1	MATTE BLACK
17	A000-040302	RUBBER DAMPER	油箱外护罩缓冲橡胶	1	
18	6KM0-030100-2B200	REAR MOUNTING ASSY,FUEL TANK	油箱后安装组件	1	MATTE BLACK
19	30204-080810	NUT M8	螺母	2	M8
20	8080-040064	DAMPER, FRONT FENDER	前围缓冲橡胶套	1	
21	5BY0-040010	RUBBER SLEEVE	橡胶套	1	
22	A000-030004	SPRING COLLAR, SIDE STAND	边撑弹簧护套	1	
23	6KM0-030050-0B200	ABS BRACKET	油杯安装支架	1	MATTE BLACK



F03-2 变档杆 GEARSHIFT LEVER

Item No.	Parts Number	Parts Name(EN)	Parts Name(CN)	Qty	Specification
01	6KM0-030700	GEARSHIFT ROD	变档杆组合	1	
02	A010-120003	BOLT M6x16	内六角螺钉M6X16	1	M6x16
03	30303-060112	WASHER	垫圈	1	6
04	A000-080006-10000	WASHER 1	垫片17×24×1.6_性能等级100HV	1	
05	6090-033601	SLEEVE, FOOT PEDAL	踏杆套	1	
06	6KM0-030710	SHIFTING ROD ASSY	变档杆焊接组件	1	
07	30805-01005	CIRCLIP 10	孔用钢丝挡圈10	2	
08	6090-033605	STEERING COUPLING II	转向联轴节II	1	
09	6090-033603	COUPLING SLEEVE	联轴节护套	2	
10	30200-060810	NUT	螺母	1	M6
11	6KM0-030701	CONNECTING ROD	连杆	1	
12	30200-06081L	NUT M6	螺母	1	M6, LEFT-HAND THREAD
13	6090-033602	STEERING COUPLING I	转向联轴节I	1	
14	6KM0-030720	CONNECTING SEAT, SHIFTING ROD	变档杆连接座	1	
15	30006-060020810	BOLT M6x20	螺栓M6×20	1	M6x20

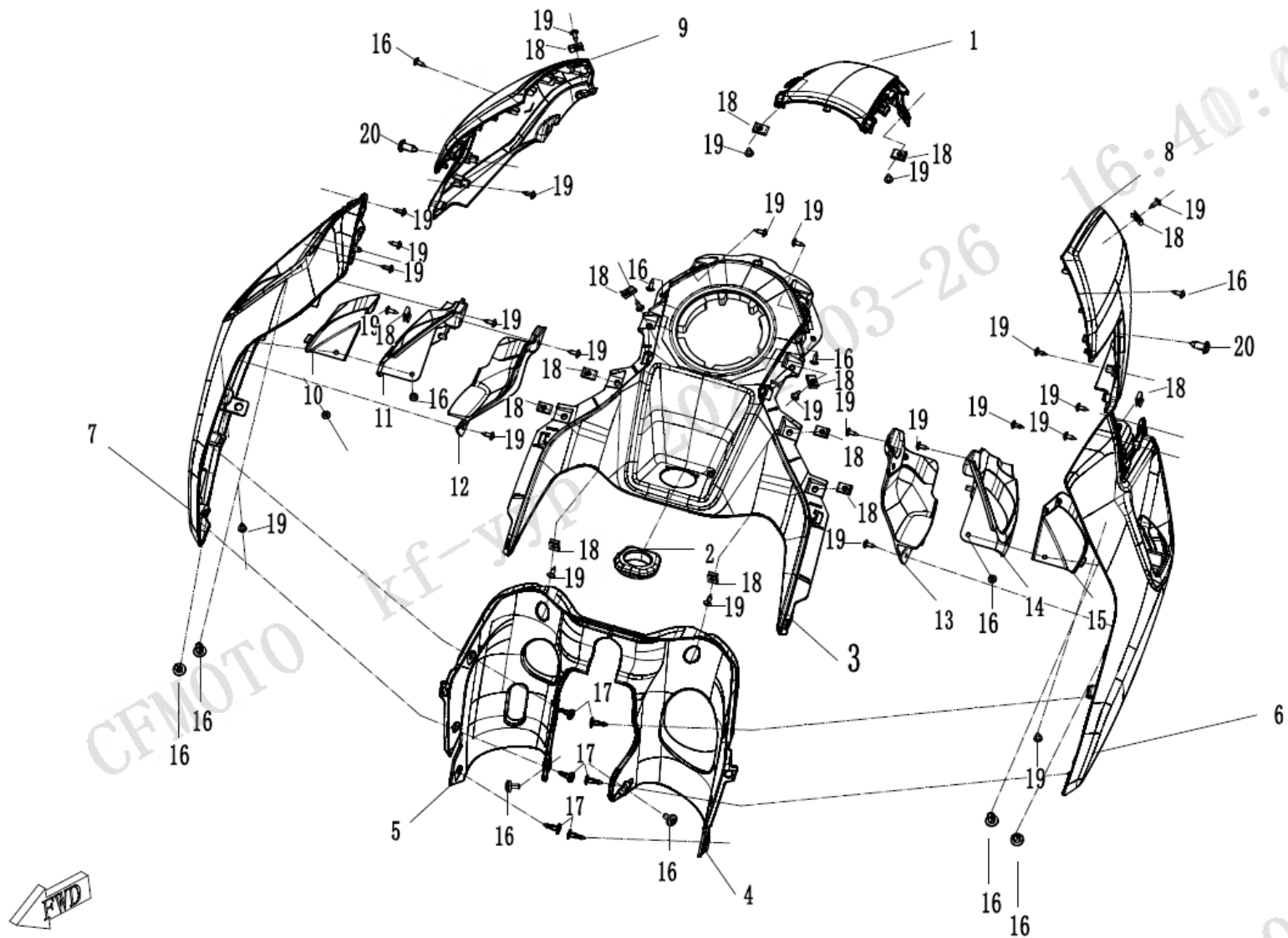
塑料件1/PLASTICS1



F04-1 塑料件 1 PLASTIC 1

Item No.	Parts Number	Parts Name(EN)	Parts Name(CN)	Qty	Specification
01	6KM0-040402-0BM00	LH PANEL, FRONT DEFLECTOR	前导流罩左护板	1	NEBULA BLACK
02	30110-421130010	SCREW	自攻螺钉	9	ST4.2x13
03	6KM0-040401	FRONT AIR DEFLECTOR, LH	左前导流罩	1	
04	6KM0-040501	FRONT AIR DEFLECTOR, RH	右前导流罩	1	
05	6KM0-040502-0BM00	RH PANEL, FRONT DEFLECTOR	前导流罩右护板	1	NEBULA BLACK
06	6NQ#-000205-6001	MOUNTING SCREW, CHAIN GUARD	链条护卡安装螺钉	2	
07	6KJ0-040402	NUT M5	方形螺母M5	2	M5
08	6KMV-044001-6200	BRACKET, FRONT TURN LIGHT	前转向灯支架	1	
09	30102-050012810	SCREW M5x12	螺钉	2	M5x12
10	30110-420160010	SCREW	自攻螺钉	2	ST4.2x16
11	6KM0-040101	WINDSHIELD	挡风玻璃	1	
12	6KM0-044010	DOUBLE-SIDES TAPES	双面胶组合	1	

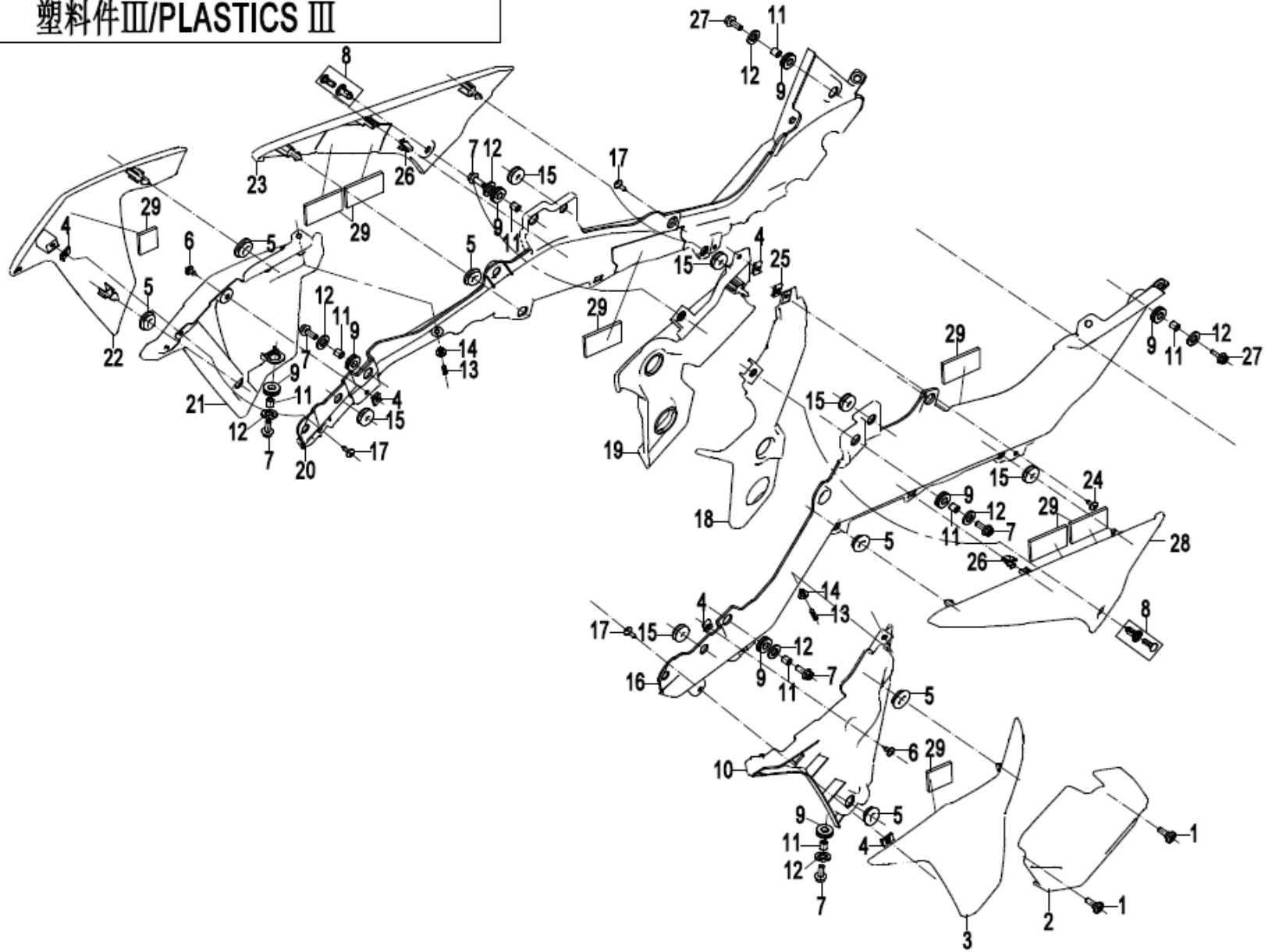
F04-2塑料件 II / PLASTICS II



F04-2 塑料件 2 PLASTIC 2

Item No.	Parts Number	Parts Name(EN)	Parts Name(CN)	Qty	Specification
1	6KMV-040903-B000-0BM00	REAR PART, FUEL TANK UPPER PANEL	油箱上护板后段	1	NEBULA BLACK
1	6KMV-040903-B000-0EK00	REAR PART, FUEL TANK UPPER PANEL	油箱上护板后段	1	ATHENS BLUE
2	6KMV-040902-B000	DECO COVER, IGNITION SWITCH	点火开关锁装饰盖	1	
3	6KMV-040901-B000	FRONT PART, FUEL TANK UPPER PANEL	油箱上护板前段	1	
4	6KMV-040601-B000	FRONT LH INNER SIDE PLATE	前左内侧板	1	
5	6KMV-040701-B000	FRONT RH INNER SIDE PLATE	前右内侧板	1	
6	6KMV-041001-B001-0H900	LH FRONT PANEL, FUEL TANK	油箱左前护板	1	GHOST GREY
6	6KMV-041001-B001-0VP00	LH FRONT PANEL, FUEL TANK	油箱左前护板	1	MATTE MERCURY SILVER
7	6KMV-041101-B001-0H900	RH FRONT PANEL, FUEL TANK	油箱右前护板	1	GHOST GREY
7	6KMV-041101-B001-0VP00	RH FRONT PANEL, FUEL TANK	油箱右前护板	1	MATTE MERCURY SILVER
8	6KMV-041002-B000-0BM00	LH PANEL, FUEL TANK	油箱左护板	1	NEBULA BLACK
8	6KMV-041002-B000-0EK00	LH PANEL, FUEL TANK	油箱左护板	1	ATHENS BLUE
9	6KMV-041102-B000-0BM00	RH PANEL, FUEL TANK	油箱右护板	1	NEBULA BLACK
9	6KMV-041102-B000-0EK00	RH PANEL, FUEL TANK	油箱右护板	1	ATHENS BLUE
10	6KMV-041105-B000	DECO NET, FUEL TANK RH FRONT PANEL	油箱右前护板装饰网	1	
11	6KMV-041103-B000	DECO PLATE, FUEL TANK RH FRONT PANEL	油箱右前护板装饰板	1	
12	6KMV-041104-B000	VISOR, FUEL TANK RH FRONT PANEL	油箱右前护板遮光板	1	
13	6KMV-041004-B000	VISOR, FUEL TANK LH FRONT PANEL	油箱左前护板遮光板	1	
14	6KMV-041003-B000	DECO PLATE, FUEL TANK LH FRONT PANEL	油箱左前护板装饰板	1	
15	6KMV-041005-B000	DECO NET, FUEL TANK LH FRONT PANEL	油箱左前护板装饰网	1	
16	30110-481130010	SELF-TAPPING SCREW ST4.8x13	自攻螺钉	12	ST4.8x13
17	8080-041130	PLASTIC SCREW	塑料膨胀螺钉组合	6	
18	8010-000002	TOOL	夹板ST4.2	12	ST4.2
19	30110-421130010	SCREW	自攻螺钉	24	ST4.2x13
20	9060-040310	PLASTIC CLIPS	塑料卡组合	2	

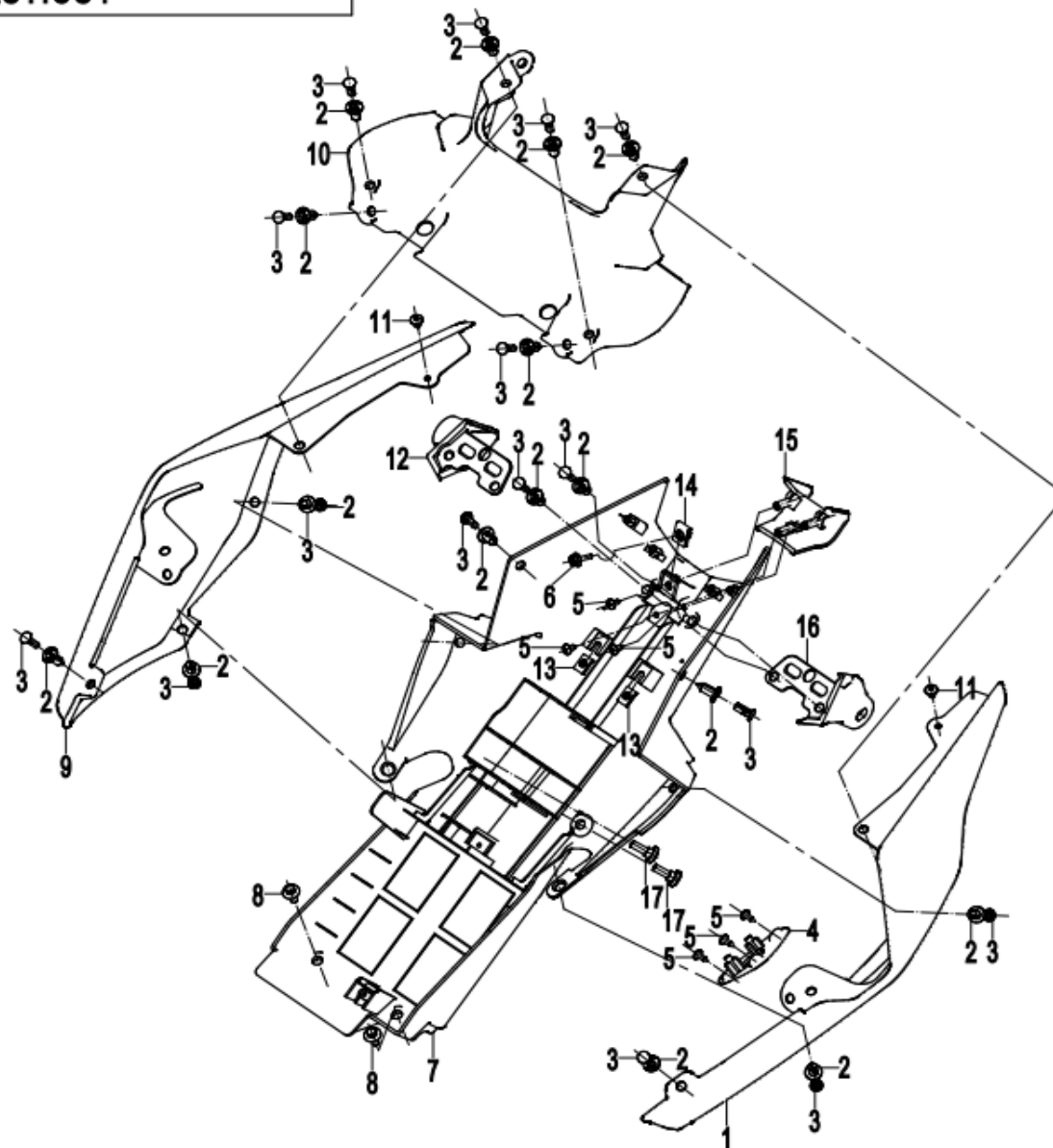
塑料件III/PLASTICS III



F04-3 塑料件 3 PLASTIC 3

Item No.	Parts Number	Parts Name(EN)	Parts Name(CN)	Qty	Specification
01	6NQ#-000205-6001	MOUNTING SCREW, CHAIN GUARD	链条护卡安装螺钉	2	
02	6KM0-043701	DECO COVER, CANISTER	碳罐装饰盖	1	
03	6KMV-041202-B000-0B600	LH OUTER PANEL, RESERVOIR TANK	水箱左外护板	1	
04	8080-000002	CLIP NUT ST4.8	夹板ST4.8	5	ST4.8
05	8080-040064	DAMPER, FRONT FENDER	前围缓冲橡胶套	6	
06	30110-481130010	SELF-TAPPING SCREW ST4.8x13	自攻螺钉	2	ST4.8x13
07	30006-060020810	BOLT M6x20	螺栓M6×20	6	M6x20
08	9060-040310	PLASTIC CLIPS	塑料卡组合	2	
09	9010-160101	RUBBER MAT, HEADLIGHT	前照灯胶垫	8	
10	6KMV-041201-B001	LH INNER PANEL, RESERVOIR TANK	水箱左内护板	1	
11	6090-040303	BUSHING	衬套	8	
12	30305-060112	WASHER	垫圈	8	6
13	8080-041131	PLASTIC STUD	塑料膨胀螺钉柱	2	
14	8080-041130	PLASTIC SCREW	塑料膨胀螺钉组合	2	
15	A000-040302	RUBBER DAMPER	油箱外护罩缓冲橡胶	6	
16	6KMV-041601-B000-0BM00	LH PANEL	左护板	1	NEBULA BLACK
17	30110-480130010	SELF-TAPPING SCREW ST4.8x13	自攻螺钉	3	ST4.8x13
18	6KMV-043001-6000	LH PANEL, FRAME	车架左护板	1	
19	6KMV-043101-6000	RH PANEL, FRAME	车架右护板	1	
20	6KMV-041701-B000-0BM00	RH PANEL	右护板	1	NEBULA BLACK
21	6KMV-041301-B001	RH INNER PANEL, RESERVOIR TANK	水箱右内护板	1	
22	6KMV-041302-B000-0B600	RH OUTER PANEL, RESERVOIR TANK	水箱右外护板	1	
23	6KMV-042001-6000	LOWER RH DECO STRAP	下右装饰条	1	
24	30118-420095010	SELF-TAPPING SCREW ST4.2x9.5	自攻螺钉	1	ST4.2x9.5
25	8010-000002	TOOL	夹板ST4.2	1	ST4.2
26	8080-000001	CLASP	卡扣	2	
27	30006-060016810	BOLT M6x16	螺栓	2	M6x16
28	6KMV-041901-6000	LOWER LH DECO STRAP	下左装饰条	1	
29	9010-120008	FUEL TANK SPONGE	油箱海绵块	8	

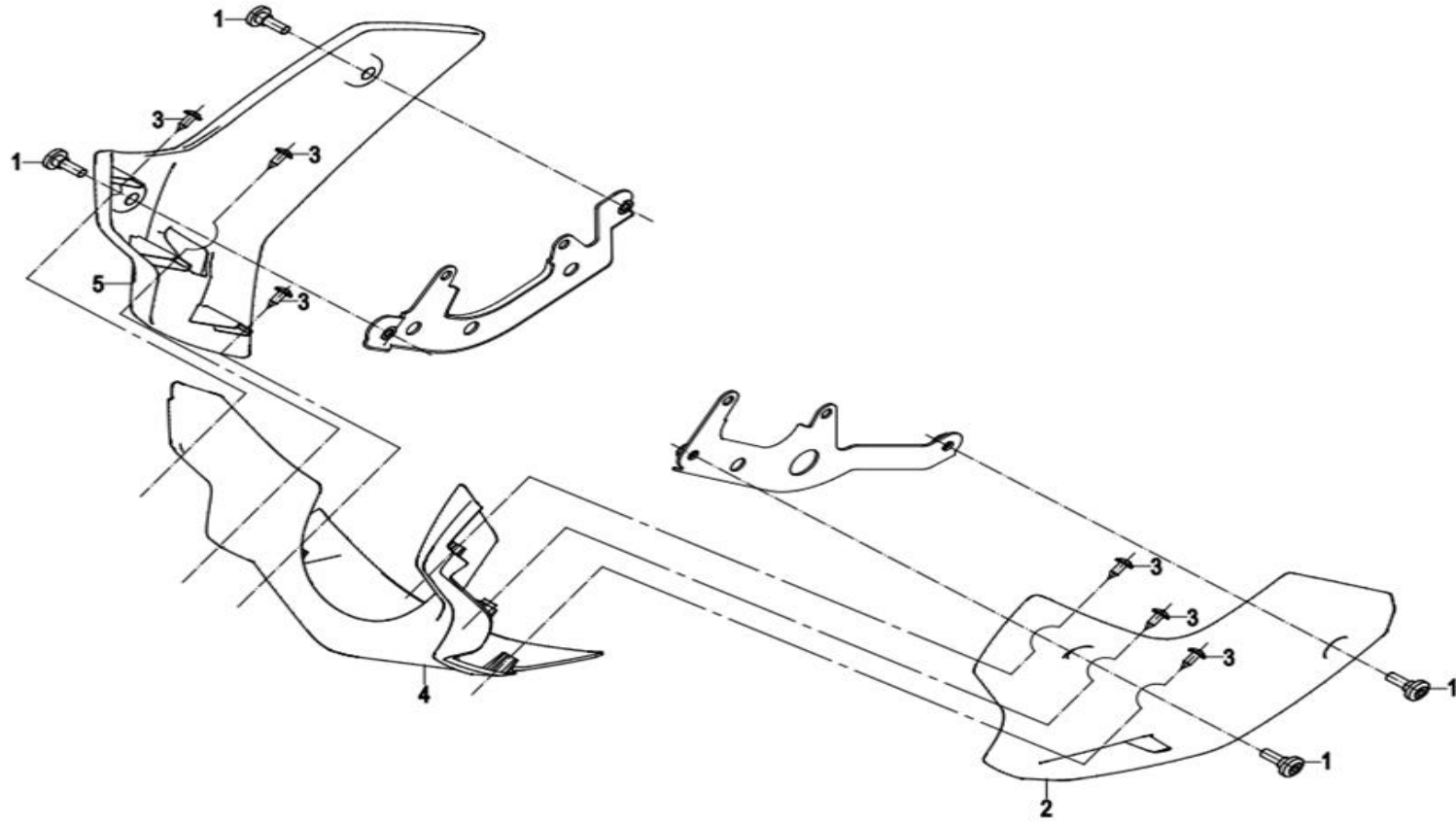
塑料件4/PLASTICS4



F04-4 塑料件 4 PLASTIC 4

Item No.	Parts Number	Parts Name(EN)	Parts Name(CN)	Qty	Specification
01	6KM0-044201-0H900	REAR LH DECO PLATE	后左装饰板	1	GHOST GREY
01	6KM0-044201-0VP00	REAR LH DECO PLATE	后左装饰板	1	MATTE MERCURY SILVER
02	9060-040310	PLASTIC CLIPS	塑料卡组合	16	
04	6KM0-044401	SEAT, SEAT LOCK	座垫锁座	1	
05	30110-421130010	SCREW	自攻螺钉	6	ST4.2x13
06	30006-060016810	BOLT M6x16	螺栓	1	M6x16
07	6KMV-042401-B000	REAR SKID PLATE	后底板	1	
08	8010-000004	BOLT M6x14	凸缘螺栓M6×14	2	M6x14
09	6KM0-044301-0H900	REAR RH DECO PLATE	后右装饰板	1	GHOST GREY
09	6KM0-044301-0VP00	REAR RH DECO PLATE	后右装饰板	1	MATTE MERCURY SILVER
10	6KM0-043201	SUPPORT PLATE, SEAT	坐垫支撑板	1	
11	30110-481130010	SELF-TAPPING SCREW ST4.8x13	自攻螺钉	2	ST4.8x13
12	6KMV-043402-6200	RH BRACKET, REAR TURN LIGHT	后转向灯右支架	1	
13	8080-000002	CLIP NUT ST4.8	夹板ST4.8	2	ST4.8
14	8030-040800-00001	NUT CLIP M6	M6螺母夹	1	M6
15	6KM0-043403	BRACKET COVER, REAR TURN LIGHT	后转向灯支架盖板	1	
16	6KMV-043401-6200	LH BRACKET, REAR TURN LIGHT	后转向灯左支架	1	
17	6NQ#-000205-6001	MOUNTING SCREW, CHAIN GUARD	链条护卡安装螺钉	2	

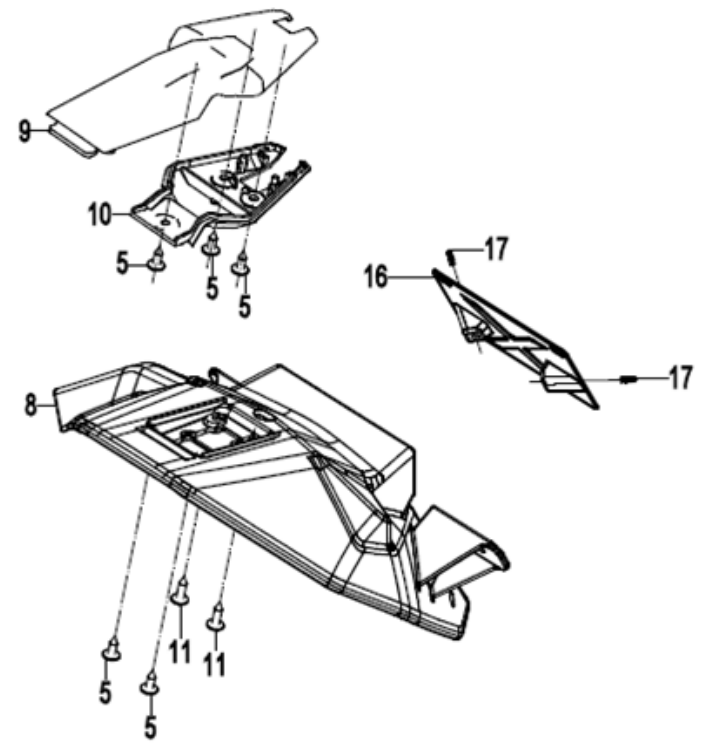
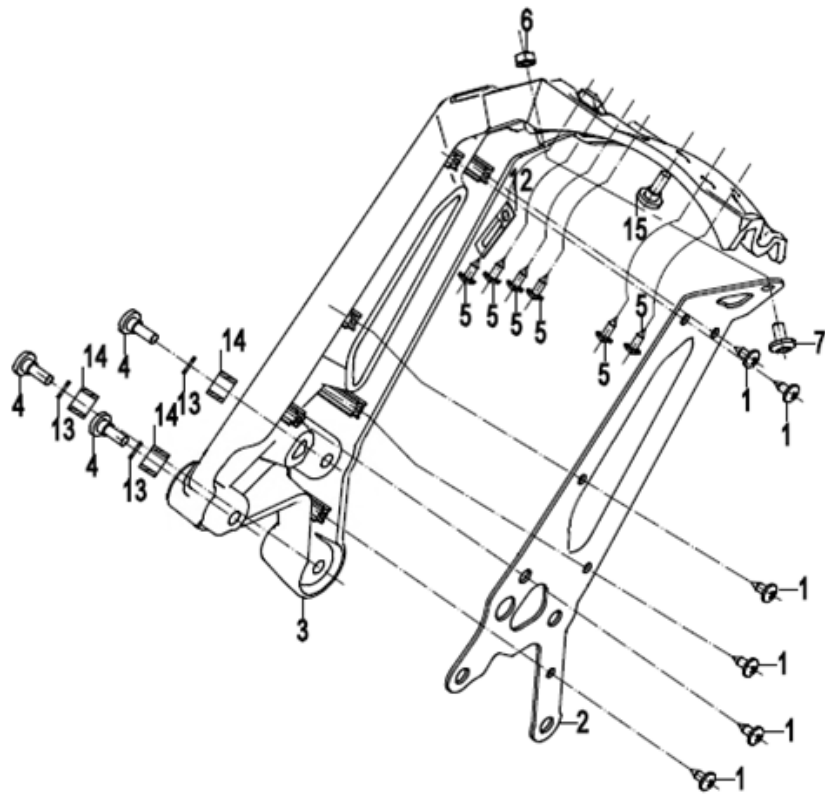
塑料件5/PLASTICS5



F04-5 塑料件 5 PLASTIC 5

Item No.	Parts Number	Parts Name(EN)	Parts Name(CN)	Qty	Specification
01	6NQ#-000205-6001	MOUNTING SCREW, CHAIN GUARD	链条护卡安装螺钉	4	
02	6KM0-042101	LH PANEL, ENGINE	发动机左护板	1	
03	30110-421130010	SCREW	自攻螺钉	6	ST4.2x13
04	6KM0-042201	MIDDLE PANEL, ENGINE	发动机中护板	1	
05	6KM0-042301	RH PANEL, ENGINE	发动机右护板	1	

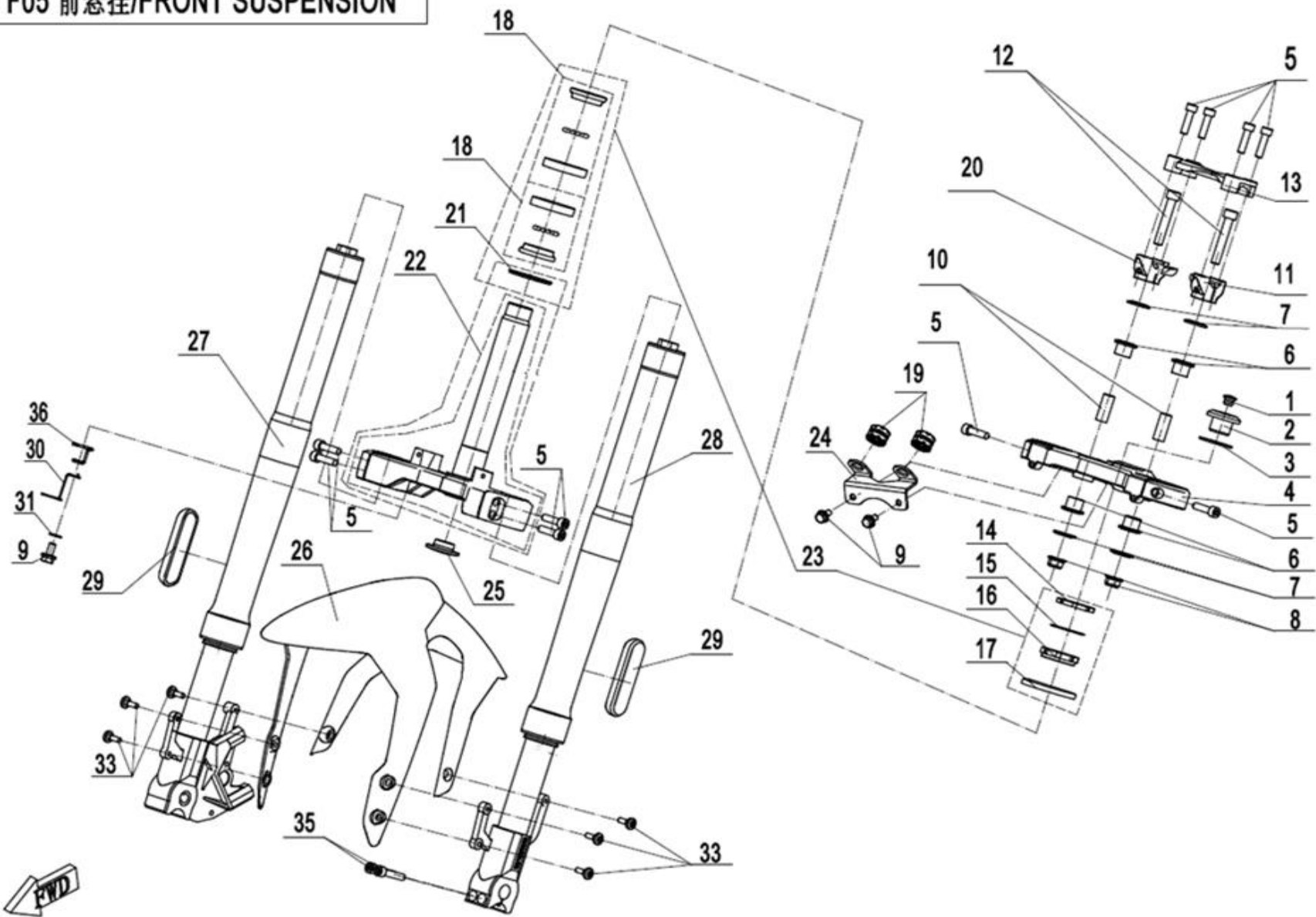
塑料件4 / PLASTICS 4



F04-6 塑料件 6 PLASTIC 6

Item No.	Parts Number	Parts Name(EN)	Parts Name(CN)	Qty	Specification
01	30110-480160010	SCREW	自攻螺钉	6	ST4.8x16
02	6KM0-030003-1B200	REINFORCEMENT PLATE, REAR FENDER BRACKET	后挡泥板支架加强板	1	MATTE BLACK
03	6KM0-042601-30000	BRACKET, REAR FENDER	后挡泥板支架	1	
04	6NQ#-000205-6001	MOUNTING SCREW, CHAIN GUARD	链条护卡安装螺钉	3	
05	30110-421130010	SCREW	自攻螺钉	11	ST4.2x13
06	30200-060810	NUT	螺母	1	M6
07	A000-040702	INNER HEX SCREW M6x12	内六角螺钉M6×12	1	M6x12
08	6KM#-042602-6000	REAR FENDER	后挡泥板	1	
09	6KM0-043801	UPPER COVER, LICENCE LIGHT	牌照灯上盖	1	
10	6KM0-043901	LOWER COVER, LICENCE LIGHT	牌照灯下盖	1	
11	30110-420160010	SCREW	自攻螺钉	2	ST4.2x16
12	0180-014010	WIRE CLIP	线夹组合	1	
13	0700-024106	WASHER	垫圈	3	11.5x17x2
14	A000-050014	BUSHING	衬套	3	
15	A000-040703	INNER HEX SCREW	内六角螺钉M6×20	1	M6x20
16	6KM#-045001-6000	FIXED PLATE, LICENSE	牌照固定板	1	
17	6KM0-044010	DOUBLE-SIDES TAPES	双面胶组合	2	

F05 前悬挂/Front Suspension

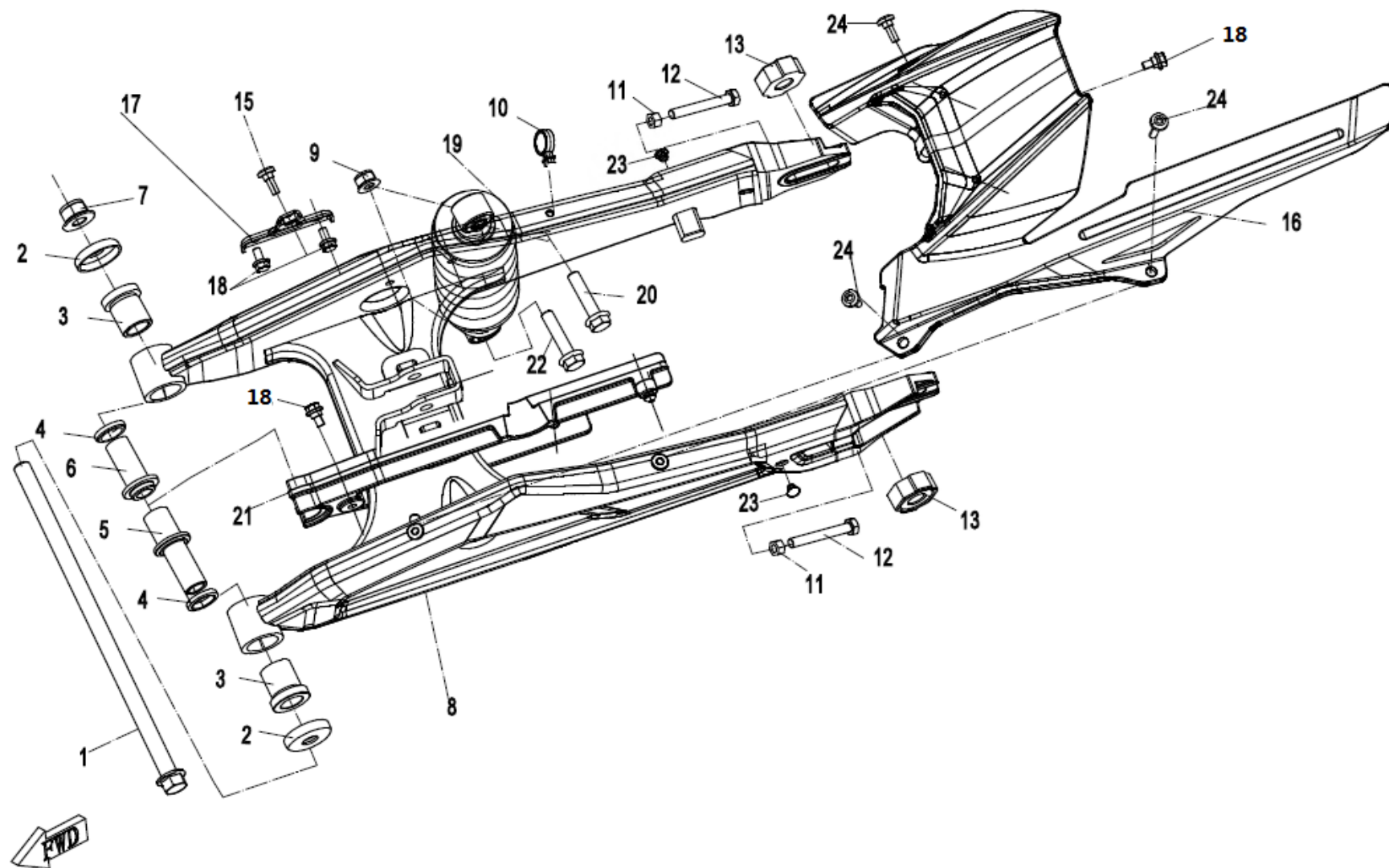


F05 前悬挂 FRONT SUSPENSION

Item No.	Parts Number	Parts Name(EN)	Parts Name(CN)	Qty	Specification
01	A000-050005	RUBBER PLUG 1	橡胶塞I	1	
02	6NTA-050003	LOCK SCREW, UPPER TRIPLE CLAMP	上连板紧固螺钉	1	
03	A000-050004	WASHER	垫圈	1	5
04	6KMV-050001-B000	UPPER TRIPLE CLAMP	上连板	1	
05	30102-080030860	INNER HEX SCREW M8x30	螺钉	10	M8x30
06	6KJ0-050004	DAMPER RUBBER, UPPER TRIPLE CLAMP	上连板缓冲橡胶	4	
07	6KJ0-050005	WASHER	垫圈	4	
08	30204-102810	NUT M10x1.25	螺母	2	M10x1.25
09	30006-060012810	BOLT M6x12	螺栓M6×12	3	M6x12
10	6KJ0-050006-00001	LINER, UPPER TRIPLE CLAMP	上连板衬管	2	
11	6KMV-100132-B000	LH SUPPORTER, HANDLEBAR	方向把左支承座	1	
12	30102-102060810	SCREW M10x1.25x60	螺钉	2	M10x1.25x60
13	6KMV-100006-B000	PRESS COVER, HANDLEBAR	方向把压盖	1	
14	A000-050006	LOCK NUT 1	锁紧螺母I	1	
15	A000-050008	WASHER	垫圈	1	5
16	A000-050007	LOCK NUT 2	锁紧螺母II	1	
17	A000-050009	DUST CAP, UPPER RETAINER	上挡圈防尘盖	1	
18	A000-050100-10000	STEERING BEARING ASSY	转向轴承组合	2	
19	5020-031001	RUBBER SLEEVE, FRONT LICENSE BRACKET	前牌照支架橡胶胶套	2	
20	6KMV-100133-B000	RH SUPPORTER, HANDLEBAR	方向把右支承座	1	
21	A000-050400	ANTI-DUST CAP, LOWER RETAINING RING	下挡圈防尘盖组件	1	
22	6KJ0-050300-0BP00	FORNT FORK AND LOWER TRIPLE CLAMP ASSY	前叉管下联板组合_莫德灵黑	1	MAUD SPIRIT BLACK
23	A000-050100-10000	STEERING BEARING ASSY	转向轴承组合	1	
24	6KM0-030002-0B200	HEADLIGHT BRACKET	前照灯安装支架	1	MATTE BLACK
25	A000-050011	RUBBER PLUG 2	橡胶塞II	1	
26	6KM#-050009-6000-0BM00	FRONT FENDER	前挡泥板	1	NEBULA BLACK
27	6KMV-050600-B000-M1	FRONT RH SHOCK ABSORBER	前右减震器	1	
28	6KMV-050500-B000-M1	FRONT LH SHOCK ABSORBER	前左减震器	1	

Item No.	Parts Number	Parts Name(EN)	Parts Name(CN)	Qty	Specification
29	6KJV-160920-8001-M1	FRONT SIDE REFLECTOR	前侧反射器	2	
30	6KJO-050012	LIMIT WIRE, FRONT BRAKE HOSE	前制动油管限位钢丝	1	
31	30306-060112	WASHER	垫圈	1	6
33	6NQ#-000205-6001	MOUNTING SCREW, CHAIN GUARD	链条护卡安装螺钉	6	
35	30102-080040810	SCREW M8x40	螺钉	2	M8x40
36	6KJO-050011	FIXING WIRE, FRONT BRAKE HOSE	前制动油管固定钢丝	1	

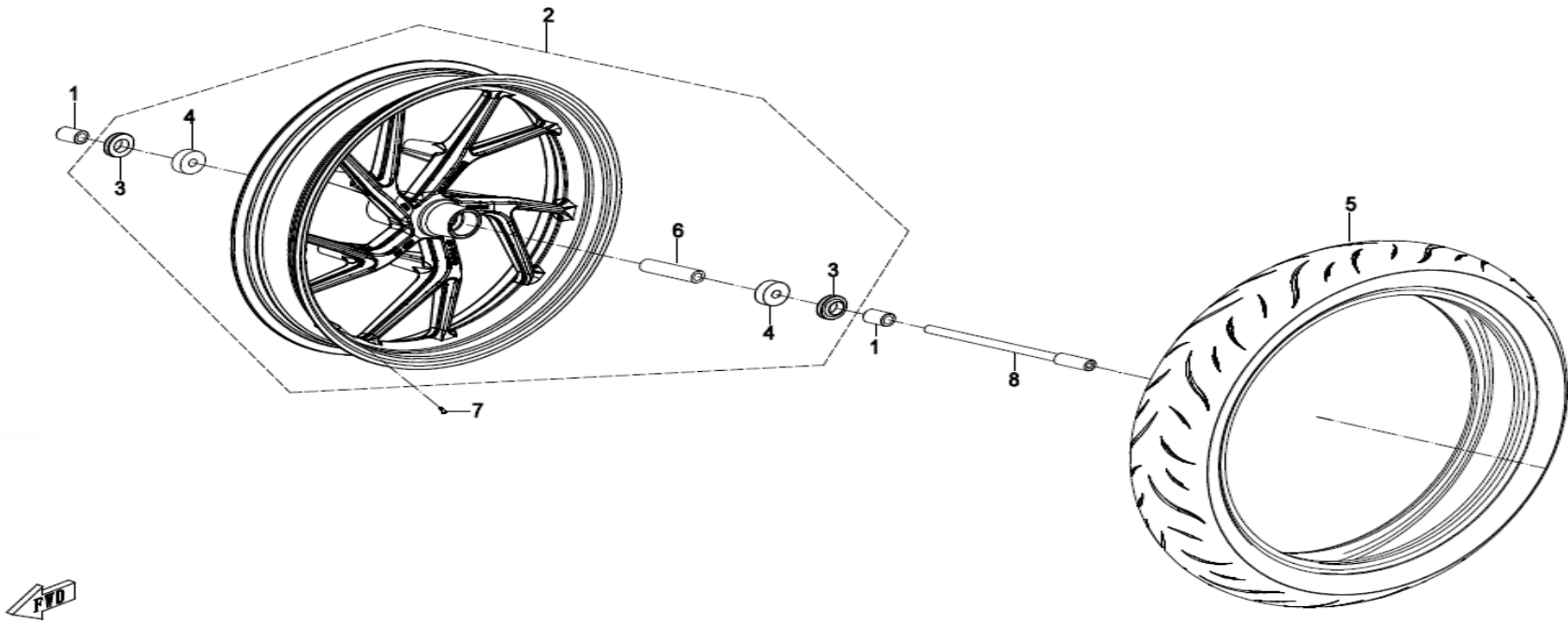
后悬架/ REAR SUSPENSION



F06-B 后悬架(钣金) REAR SUSPENSION(SHEET METAL)

Item No.	Parts Number	Parts Name(EN)	Parts Name(CN)	Qty	Specification
01	6KM0-060001-10000	REAR FORK SHAFT	后平叉轴	1	
02	6KMV-060010-8001	DUST BOOT COVER 1, REAR SWING ARM	后摇架防尘盖I	2	
03	6100-060008	OUTER BUSHING, REAR SWING ARM	后摇架外衬套	2	
04	6090-060005	ANTI-DUST RING	防尘圈	2	
05	6KJ0-060003-00001	LH INNER BUSHING, REAR SWING ARM	后平叉左内衬套	1	
06	6KJ0-060004-00001	RH INNER BUSHING, REAR FORK	后平叉右内衬套	1	
07	30204-143810	NUT M14x1.5	螺母	1	M14x1.5
08	6KM0-060300-0BB00	REAR FORK	后平叉焊接组件	1	PLASTIC POWDER
09	30204-102810	NUT M10x1.25	螺母	1	M10x1.25
10	A000-050015	WIRE CLIP, FRONT BRAKE FLUID HOSE	前制动油管夹	2	
11	30200-080810	NUT M8	螺母	2	M8
12	30004-080060810	BOLT M8x60	螺栓	2	M8x60
13	6KJ0-060002-1BB00	ADJUSTING BLOCK	调节块	2	PLASTIC POWDER
15	A000-040702	INNER HEX SCREW M6x12	内六角螺钉M6×12	1	M6x12
16	6KMV-060007-6001	REAR INNER FENDER	后内挡泥板	1	
17	6KM0-060410	BRACKET, FENDER	挡泥板安装支架组合	1	ELECTROPHORESIS BLACK
18	30006-060012810	BOLT M6x12	螺栓M6×12	4	M6x12
19	6KMV-060100-6000-M1-0V000	REAR SHOCK ABSORBER	后减震器	1	WHITE
20	30006-102045810	BOLT M10x1.25x45	螺栓	1	M10x1.25x45
21	6KM0-060201	CHAIN GUIDE	链条护卡	1	
22	30006-102050810	BOLT M10x1.25x50	螺栓	1	M10x1.25x50
23	6KM#-100002-8000	PLUG	离合手柄胶塞	2	
24	6KM0-060002	MOUNTING SCREW, CHAIN GUARD	链条护卡安装螺钉	3	

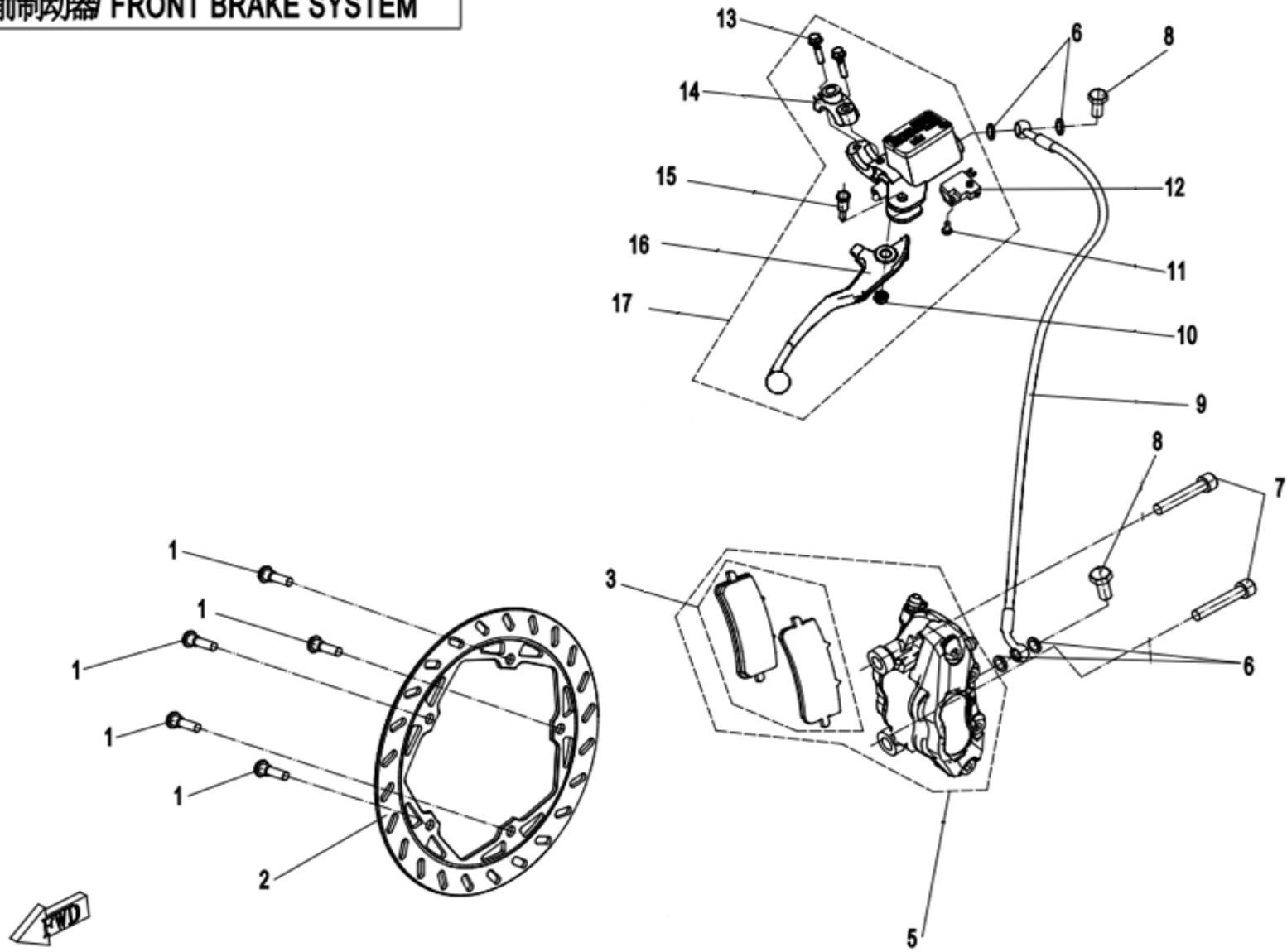
前轮/ FRONT WHEEL



F07 前轮 FRONT WHEEL

Item No.	Parts Number	Parts Name(EN)	Parts Name(CN)	Qty	Specification
01	6KJ0-070002	COLLAR, FRONT WHEEL AXLE	前轮轴套	2	
02	6KMV-070100-B000-10	FRONT RIM ASSY	前轮辋组合	1	
03	6KJ0-070024	OIL SEAL	油封	2	
04	30400-01281	BEARING	滚动轴承	2	6301-2RS
05	3070SH-174700	983_DOT 17F M1F 002_E-mark_E4-75R-0013834_3C_F0	轮胎	1	
06	6KM#-070103-6001	MIDDLE SPACER, FRONT RIM	前轮辋中隔套	1	
07	5190-070030-1000	VALVE, INFLATION	气门嘴	1	
08	6KJ0-070001-10000	AXLE, FRONT WHEEL	前轮轴	1	

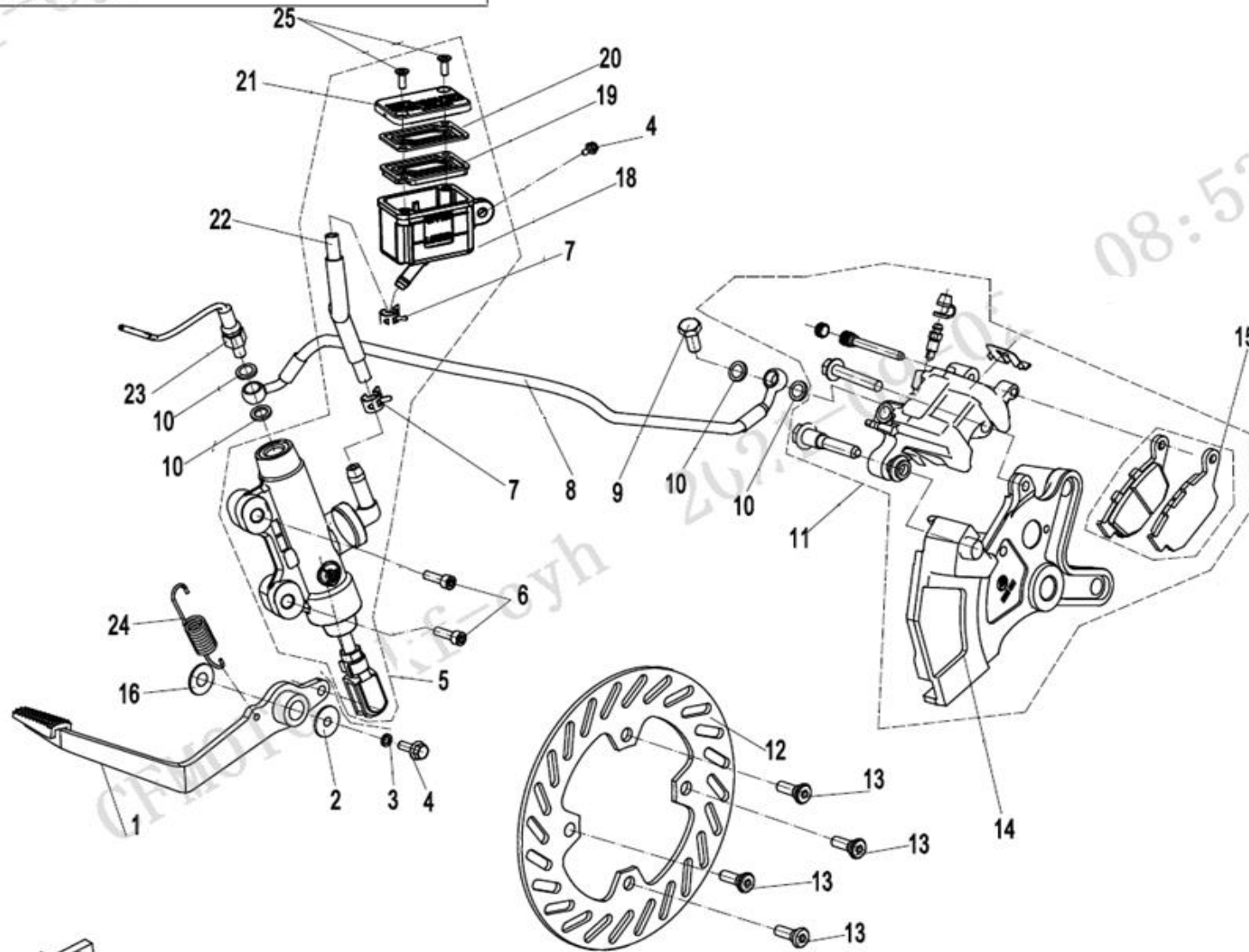
前制动器/ FRONT BRAKE SYSTEM



F08-A-1 前制动器 FRONT BRAKE SYSTEM

Item No.	Parts Number	Parts Name(EN)	Parts Name(CN)	Qty	Specification
01	6KJ0-080005	BOLT, FRONT BRAKE DISC	前制动盘螺栓	5	
02	6KJ0-080001-20000	FRONT BRAKE DISC	前制动盘	1	
03	6KM0-0812B0	FRONT BRAKE PAD ASSY	前制动片组合	1	
05	6KM#-081200-8100	FRONT BRAKE CALIPER ASSY	前制动钳体组合	1	
06	6KM#-081000-8100-20	REATAINER	垫圈	4	
07	30102-102060810	SCREW M10x1.25x60	螺钉	2	M10x1.25x60
08	6KM#-080103-8101	BOLT, FUEL PIPE	油管螺栓	2	
10	30204-060870	NUT M6	螺母M6	1	
11	30116-040010470	SCREW KIT	螺钉组合件	1	
12	6KM0-081102-20000	BRAKE SWITCH	制动开关	1	
13	30006-060025810	BOLT	螺栓	2	M6x25
15	6KJ0-084111	SHAFT PIN	销轴	1	

后制动总成/ REAR BRAKE SYSTEM



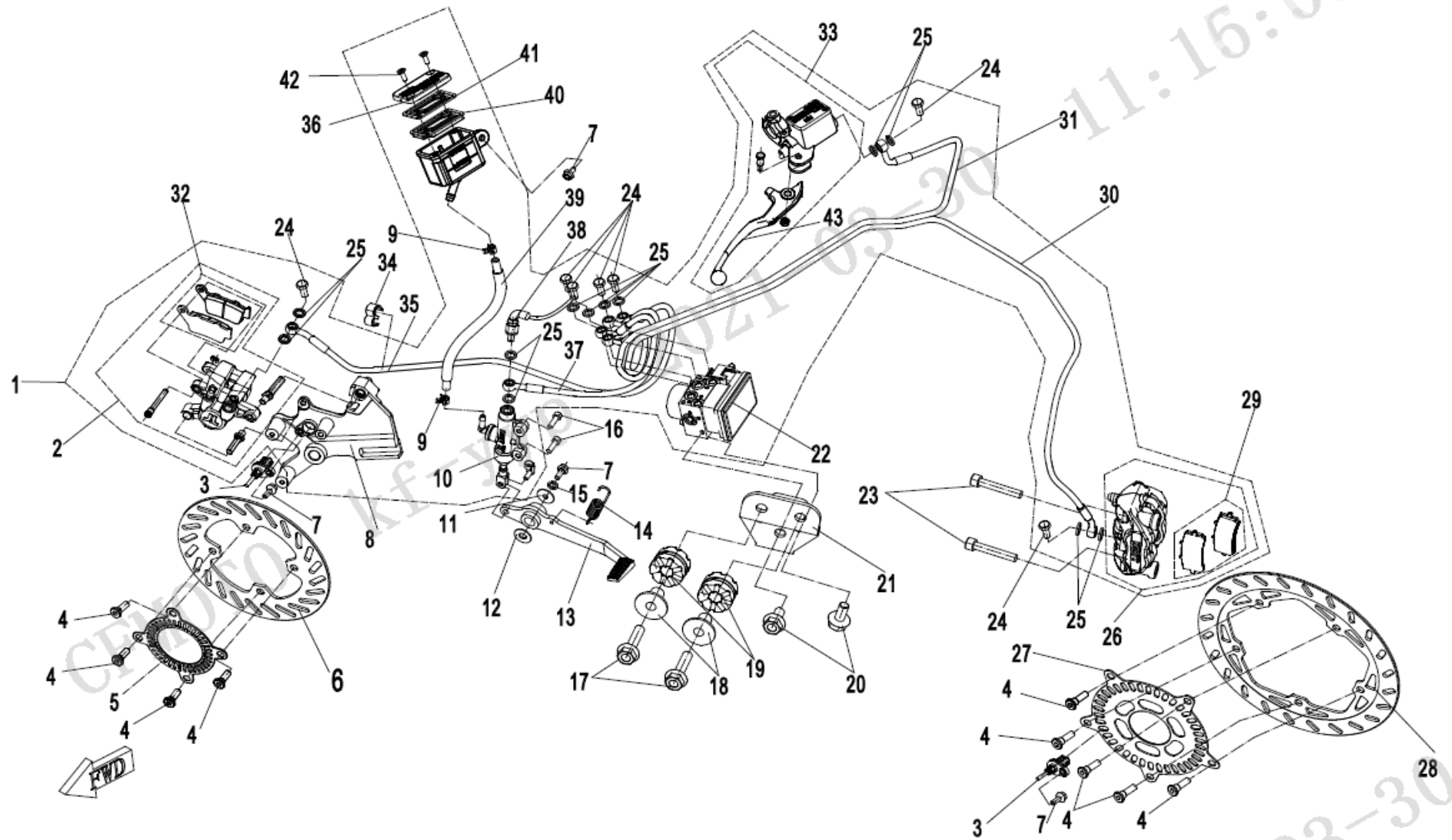
08:53:28

01-09-02

F08-A-2 后制动器 REAR BRAKE SYSTEM

Item No.	Parts Number	Parts Name(EN)	Parts Name(CN)	Qty	Specification
01	6KMV-080300-B000-0BP00	REAR BRAKE PEDAL ASSY	后制动踏板组件	1	MAUD SPIRIT BLACK
02	A000-080006-10000	WASHER 1	垫片I7×24×1.6_性能等级100HV	1	
03	30303-060112	WASHER	垫圈	1	6
04	30006-060016810	BOLT M6x16	螺栓	2	M6x16
05	6KM0-091200-30000	MASTER CYLINDER, REAR BRAKE	后刹主泵	1	
06	30102-060022810	SCREW M6x22	螺钉	2	M6x22
07	A000-080213-2000	CLIP	油管夹	2	
08	6KMV-091010-B300-M1	REAR BRAKE FLUID HOSE	后制动油管	1	
09	6KM#-080103-8101	BOLT, FUEL PIPE	油管螺栓	1	
10	6KM#-081000-8100-20	REATAINER	垫圈	4	
11	6KMV-091100-B100	REAR BRAKE CALIPER ASSY	后制动钳体组合	1	
12	6KJ0-080002-10000	REAR BRAKE DISC	后制动盘	1	
13	6KJ0-080005	BOLT, FRONT BRAKE DISC	前制动盘螺栓	4	
14	6KM0-091105-30000	BRACKET	安装版	1	
15	6KMV-0911A0	REAR BRAKE PAD ASSY	后制动片组合	1	
16	A000-080007-10000	WASHER 2	垫片II	1	
19	6KM0-091202-20000	SEALING LINER, FLUID RESERVOIR	油杯密封衬板	1	
20	6KM0-091203-20000	SEALING GASKET, FLUID RESERVOIR	油杯密封垫	1	
21	6KM0-091201-20000	CAP, FLUID RESERVOIR	油杯盖	1	
22	6KM0-091220-30000	BRAKE FLUID RESERVOIR HOSE	油杯管	1	
23	6KJ0-080270	HYDRAULIC INDUCTION SWITCH	液压感应开关	1	
24	6100-080005	RETURN SPRING	回位弹簧	1	
25	A000-080229-2000	SCREW, FLUID RESERVOIR CAP	油杯盖螺钉	2	

液压制动总成 / HYDRAULIC BRAKE ASSY



F08-B 制动系统(瑞立MAB) BRAKE SYSTEM(RUILI MAB)

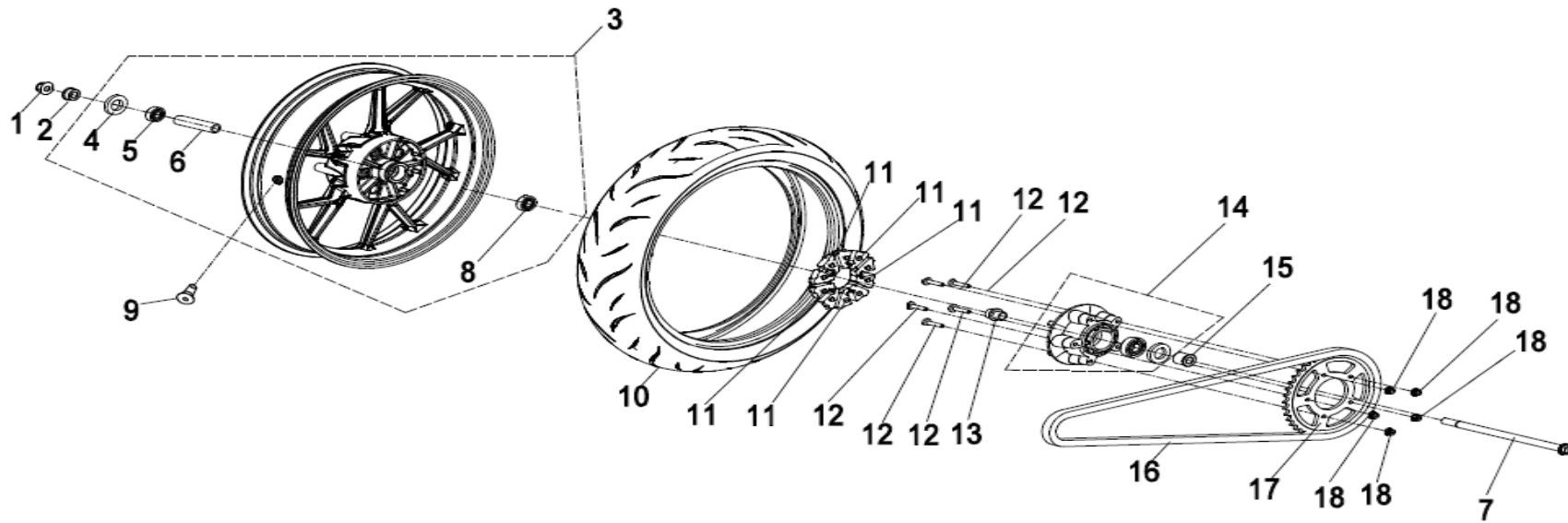
Item No.	Parts Number	Parts Name(EN)	Parts Name(CN)	Qty	Specification
01	6KMV-082000-B101-M1	MAB HYDRAULIC BRAKE ASSY	MAB液压制动器总成	1	refer loose
02	6KMV-091100-B100	REAR BRAKE CALIPER ASSY	后制动钳体组合	1	
03	6KMV-080004-8500-M1	SPEED SENSOR	轮速传感器	2	
04	6KJ0-080005	BOLT, FRONT BRAKE DISC	前制动盘螺栓	9	
05	6NTG-080009	REAR GEAR RING	后齿圈	1	
06	6KJ0-080002-10000	REAR BRAKE DISC	后制动盘	1	
07	30006-060016810	BOLT M6x16	螺栓	3	M6x16
08	6KM0-091105-30000	BRACKET	安装版	1	
09	A000-080213-2000	CLIP	油管夹	2	
10	6KM0-091200-30000	MASTER CYLINDER, REAR BRAKE	后刹主泵	1	
11	A000-080006-10000	WASHER 1	垫片I7×24×1.6_性能等级100HV	1	
12	A000-080007-10000	WASHER 2	垫片II	1	
13	6KMV-080300-B000-0BP00	REAR BRAKE PEDAL ASSY	后制动踏板组件	1	MAUD SPIRIT BLACK
14	6100-080005	RETURN SPRING	回位弹簧	1	
15	30303-060112	WASHER	垫圈	1	6
16	30102-060022810	SCREW M6x22	螺钉	2	M6x22
17	30006-060025810	BOLT	螺栓	4	M6x25
18	5020-031002	RUBBER SLEEVE LINER, FRONT LICENSE BRACKET	前牌照支架橡胶套衬套	2	
19	5020-031001	RUBBER SLEEVE, FRONT LICENSE BRACKET	前牌照支架橡胶胶套	2	
20	30006-060012810	BOLT M6x12	螺栓M6×12	2	M6x12
21	6KMV-030070-2000	BRACKET, ABS	ABS安装支架	1	
22	6KMV-081500-2000-M1	MAB EXECUTION UNIT	MAB执行单元	1	
23	30102-102060810	SCREW M10x1.25x60	螺钉	2	M10x1.25x60
24	6KM#-080103-8101	BOLT, FUEL PIPE	油管螺栓	7	
25	6KM#-081000-8100-20	REATAINER	垫圈	1	
26	6KM#-081200-8100	FRONT BRAKE CALIPER ASSY	前制动钳体组合	1	
27	6KJ0-080004	INDUCTION PLATE, COUNTER	计数器感应盘	1	
28	6KJ0-080001-20000	FRONT BRAKE DISC	前制动盘	1	
29	6KMV-0811A0	FRONT BRAKE PAD ASSY	前制动片组合	1	

Item No.	Parts Number	Parts Name(EN)	Parts Name(CN)	Qty	Specification
30	6KM#-081020-6001	FLUID OUTLET PIPE, FRONT CALIPER	前钳体出油管	1	
31	6KM#-081010-6001	FLUID INLET PIPE, FRONT CALIPER	前钳体进油管	1	
32	6KMV-0911A0	REAR BRAKE PAD ASSY	后制动片组合	1	
33	6KMV-081100-B100-M1	HAND BRAKE PUMP ASSY	手刹主泵	1	
34	6KM#-080002-8000	RUBBER OIL HOSE CLIP	橡胶油管线夹	1	
35	6KM#-081040-6002	OIL OUTLET HOSE, REAR BRAKE CALIPER	后钳体出油管	1	
36	6KM0-091201-20000	CAP, FLUID RESERVOIR	油杯盖	1	
37	6KM#-081030-6001	FLUID OUTLET PIPE, REAR CALIPER	后制动钳体油管	1	
38	6KMV-081700-8500-M1	HYDRAULIC SWITCH ASSY	液压开关组合	1	
39	6KM0-091220-30000	BRAKE FLUID RESERVOIR HOSE	油杯管	1	
40	6KM0-091203-20000	SEALING GASKET, FLUID RESERVOIR	油杯密封垫	1	
41	6KM0-091202-20000	SEALING LINER, FLUID RESERVOIR	油杯密封衬板	1	
42	A000-080229-2000	SCREW, FLUID RESERVOIR CAP	油杯盖螺钉	1	
43	6KMV-081100-B000-20	BRAKE LEVER	制动手柄	1	

F10 转向系统 STEERING SYSTEM

Item No.	Parts Number	Parts Name(EN)	Parts Name(CN)	Qty	Specification
01	6KMV-100301-B000	BALANCING WEIGHT	平衡块	2	
02	6KMV-100302-B000	BALANCER	配重块	2	
03	A000-100010-20000	RH HAND GRIP ASSY	右握把组件	1	
04	6KMV-168000-8600	HANDLEBAR SWITCHES ASSY, RH	右手把开关总成	1	
05	6KMV-100700-B000	THROTTLE CABLE	油门拉索	1	
06	6KMV-100800-B000	ADJUSTABLE THROTTLE CABLE	可调油门拉索	1	
07	A000-050015	WIRE CLIP, FRONT BRAKE FLUID HOSE	前制动油管夹	1	
08	6KMV-166000-8003	HANDLEBAR SWITCH ASSY, LH	左手把开关总成	1	
09	6FI3-100300-10000	CLUTCH LEVER ASSY	离合手柄组合	1	
10	A000-100001-10000	LH HAND GRIP	左握把	1	
11	6KMV-100600-B000	CLUTCH CABLE	离合拉索	1	
12	6KMV-081100-B000-20	BRAKE LEVER	制动手柄	1	
13	6KMV-100006-B000	PRESS COVER, HANDLEBAR	方向把压盖	1	
14	30102-080030860	INNER HEX SCREW M8x30	螺钉	4	M8x30
15	30102-102060810	SCREW M10x1.25x60	螺钉	2	M10x1.25x60
16	6KMV-100133-B000	RH SUPPORTER, HANDLEBAR	方向把右支承座	1	
17	6KMV-100132-B000	LH SUPPORTER, HANDLEBAR	方向把左支承座	1	
18	6KMV-166000-B001	DASHBOARD SWITCH	仪表专用开关	1	
19	6KMV-100101-B000	HANDLEBAR PIPE	方向把管	1	
20	30102-060045870	SCREW	螺钉	2	

后轮/ REAR WHEEL

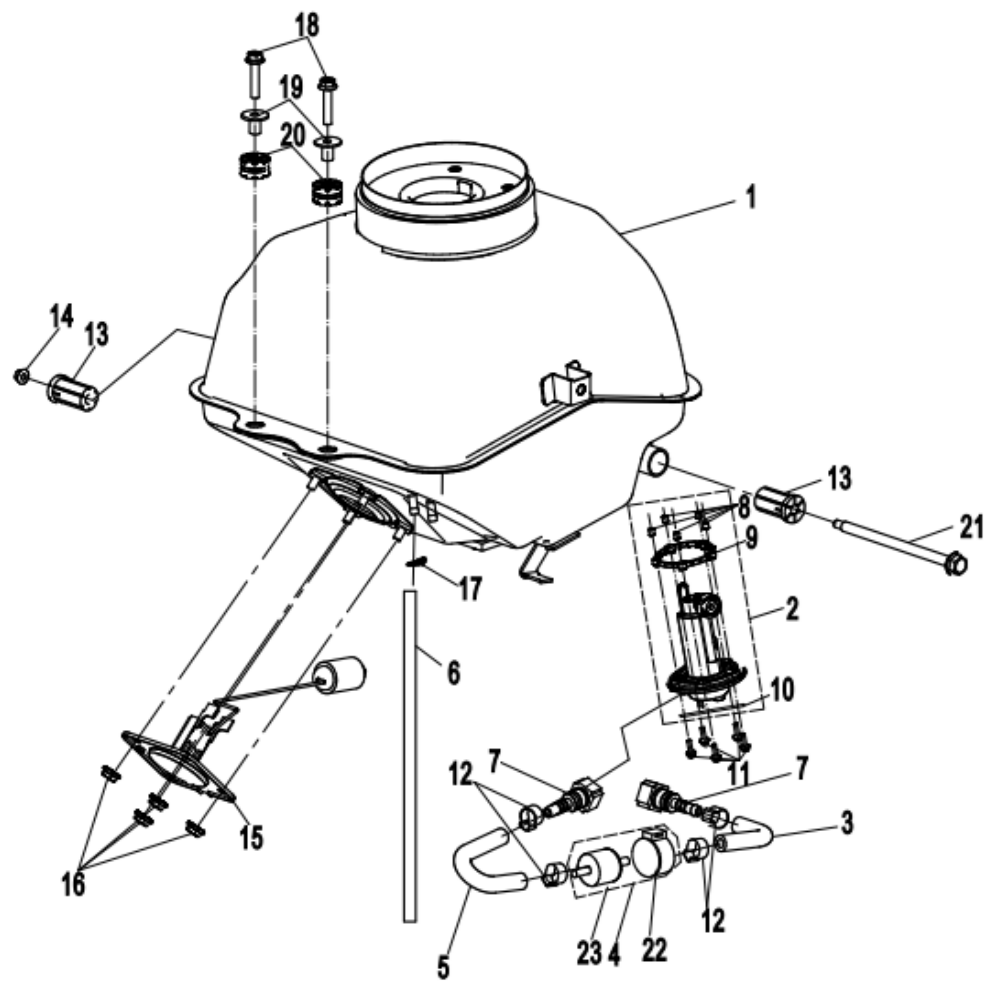


F11 后轮 REAR WHEEL

Item No.	Parts Number	Parts Name(EN)	Parts Name(CN)	Qty	Specification
01	30204-143810	NUT M14x1.5	螺母	1	M14x1.5
02	6KJ0-110001-10000	RH SHAFT SLEEVE, REAR WHEEL	后轮右轴套	1	
03	6KMV-110100-B000-10	REAR RIM ASSY	后轮辋组合	1	
04	30500-027800N	OIL SEAL	油封	1	FB27x47x7
05	30400-01583	BEARING	滚动轴承	1	6302-2RS
06	6KM#-110103-6001	MIDDLE SPACER, REAR RIM	后轮辋中隔套	1	
07	6KJ0-110005-20000	REAR WHEEL SHAFT	后轮轴	1	

Item No.	Parts Number	Parts Name(EN)	Parts Name(CN)	Qty	Specification
08	30400-01580	BEARING	滚动轴承	1	6202-2RS
09	5190-070030-1000	VALVE, INFLATION	气门嘴	1	
10	30705-1748	983_DOT 17F M41 001_E-mark_E4-75R-0013830_3C_FC	轮胎	1	
11	6KM0-110004	RUBBER DAMPER, SPROCKET SOCKET	链轮座橡胶缓冲块	5	
12	6KJ0-110003	BOLT	链轮缓冲螺栓	5	
13	6KM0-110003-10000	BUSHING, SPROCKET SOCKET	链轮座衬套	1	
14	6KM0-110200-10000	SPROCKET SOCKET	链轮座组合	1	
15	6KM0-110002-10000	SHAFT SLEEVE, REAR WHEEL	后轮轴套	1	
16	3120910	CHAIN	链条	1	
17	6KM#-110005-8003	REAR SPROCKET	后链轮	1	
18	30204-080810	NUT M8	螺母	5	M8

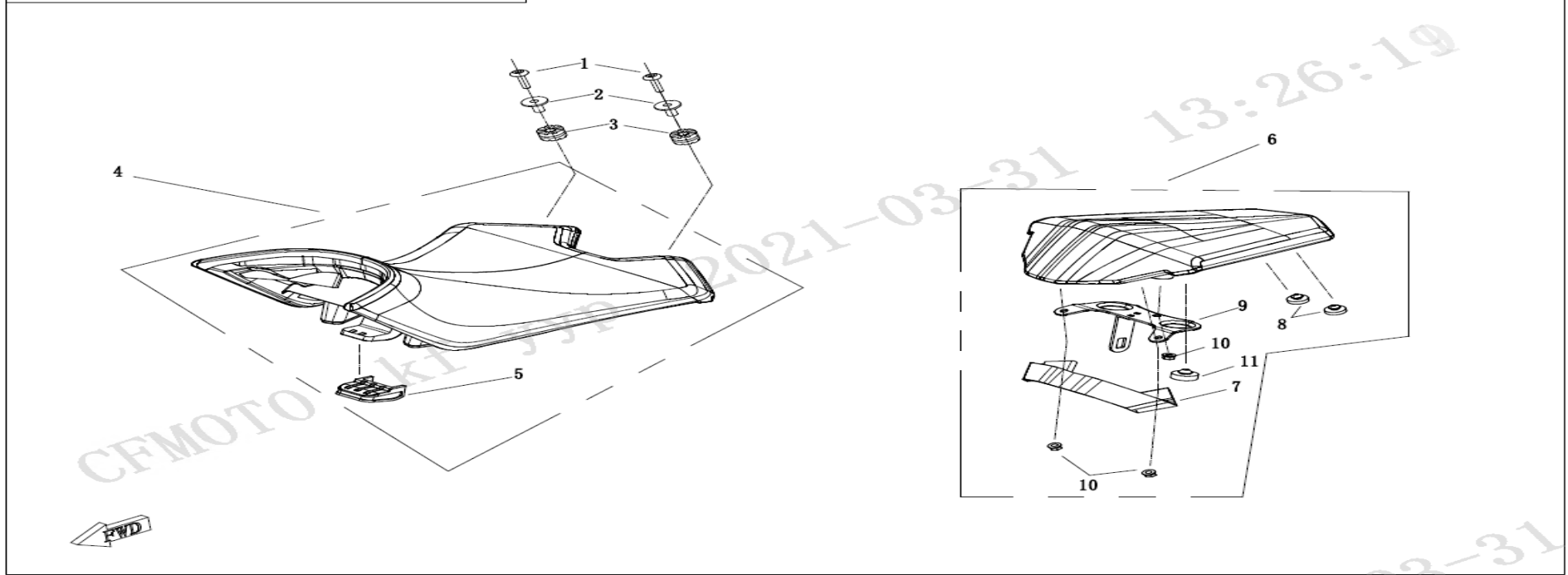
油箱 FUEL TANK



F12 油箱 FUEL TANK

Item No.	Parts Number	Parts Name(EN)	Parts Name(CN)	Qty	Specification
01	6KMV-121000-B000	FUEL TANK ASSY	油箱焊接组件	1	
02	6KJV-150900-8001	FUEL PUMP ASSY	油泵总成	1	
03	6KM0-120220	HIGH-PRESSURE FUEL HOSE,II	高压油管II组合	1	
04	6090-120220	FUEL FILTER ASSY, EFI	电喷燃油滤清器组合	1	
05	6KM0-120210	HIGH-PRESSURE FUEL HOSE, I	高压油管I组合	1	
06	6NQ0-120001	FUEL PIPE, FUEL TANK	油箱漏油管	1	
07	6KJ0-120330-10000	QUICK JOINT	快速接头	2	
08	6KJ0-150903	BUSHING	衬套	5	
09	6KJ0-150902	SEAL WASHER, TOP COVER	顶盖密封圈	1	
10	6KJ0-150901	LOCK PAD, TOP COVER	顶盖锁紧片	1	
11	30006-050020810	BOLT (M5x20)	螺栓	5	M5x20
12	6070-120400	CLAMP	无级环箍 (Φ14.5)	4	Dia14.5
13	6KM0-120002	RUBBER BUSHING, FUEL TANK	油箱橡胶套	2	
14	30204-060810	NUT M6	螺母	1	M6
15	6KMV-170200-B102	FUEL LEVEL SENSOR	油位传感器	1	
16	30202-060110	NUT M6	螺母	4	M6
17	30601-111010	CLAMP A11	环箍A11	1	A11
18	30006-060025810	BOLT (M6x25)	螺栓	2	M6x25
19	6KM0-120010	T-TYPE BUSHING ASSY	T型衬套组合	2	
20	5020-031001	RUBBER SLEEVE, FRONT LICENSE BRACKET	前牌照支架橡胶胶套	2	
21	6KM0-120001	ROTATION SHAFT, FUEL TANK	油箱旋转轴	1	
22	6090-120221	RUBBER SLEEVE, FUEL FILTER, EFI	电喷燃油滤清器橡胶套	1	
23	805A-120004	FUEL FILTER, EFI	电喷燃油滤清器	1	

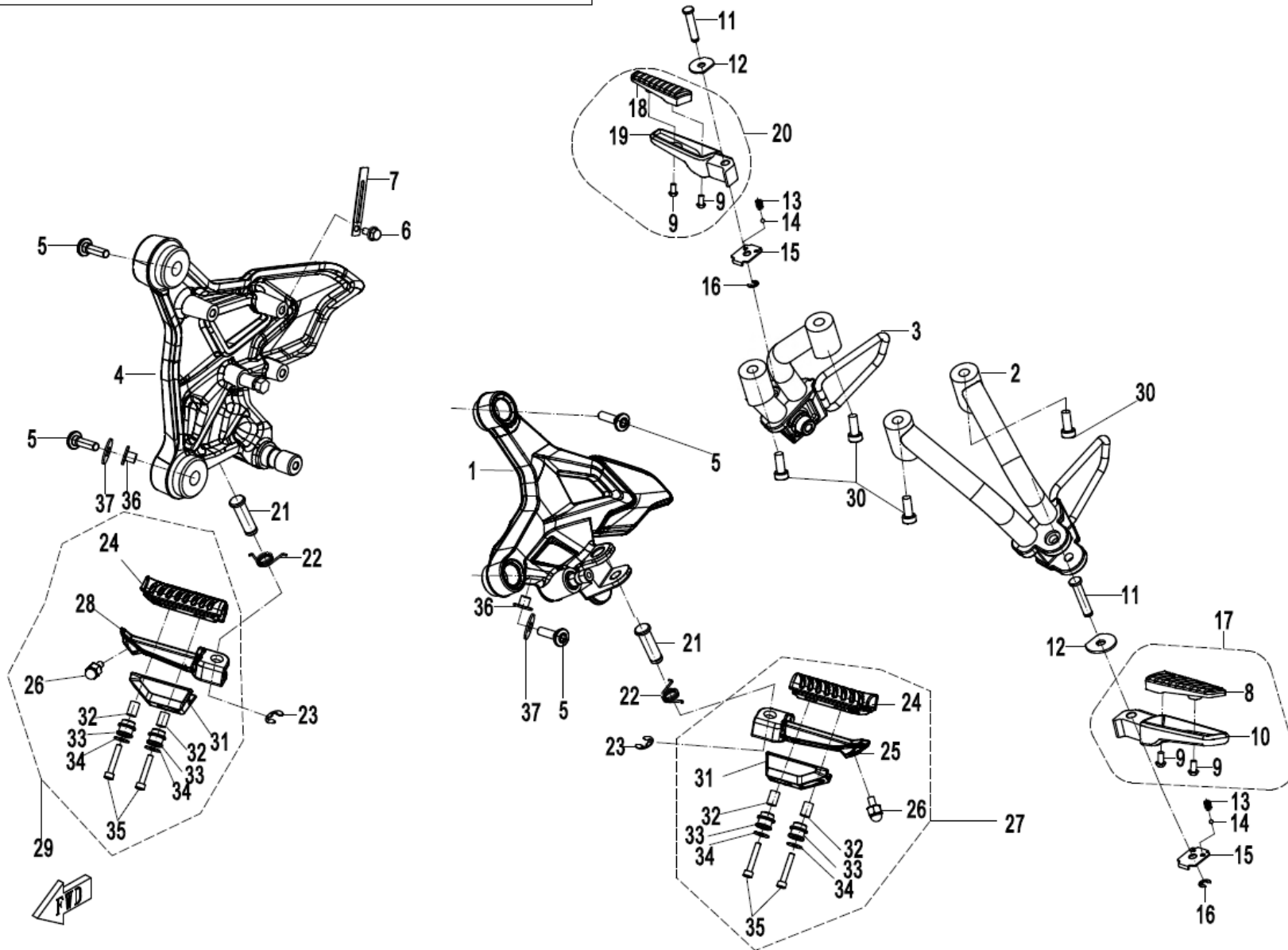
F13 座垫/SEAT



F13-A 座垫 SEAT

Item No.	Parts Number	Parts Name(EN)	Parts Name(CN)	Qty	Specification
01	6NTG-200424	INNER HEX SCREW M6x25	内六角螺钉M6x25	2	M6x25
02	6KM0-130010	T-TYPE BUSHING ASSY	T型衬套组合	2	
03	5020-031001	RUBBER SLEEVE, FRONT LICENSE BRACKET	前牌照支架橡胶胶套	2	
04	6KMV-130100-B003	FRONT SEAT	前座垫组合	1	
05	6KM0-130106	RUBBER SLEEVE	减震橡胶套	1	
06	6KMV-130200-B000	REAR SEAT ASSY	后座垫组合	1	
07	6KM0-130220	TIE-BAND, REAR SEAT	后座垫拉带	1	
08	6KM0-130204	RUBBER MAT	缓冲橡胶垫	2	
09	6KM0-130210	LOCKING PLATE ASSY, SEAT LOCK	座垫锁钩板焊接组件	1	
10	30202-060110	NUT M6	螺母	3	M6
11	6KM0-130205	RUBBER	缓冲橡胶垫	1	

F14 脚蹬总成/PEDAL ASSY

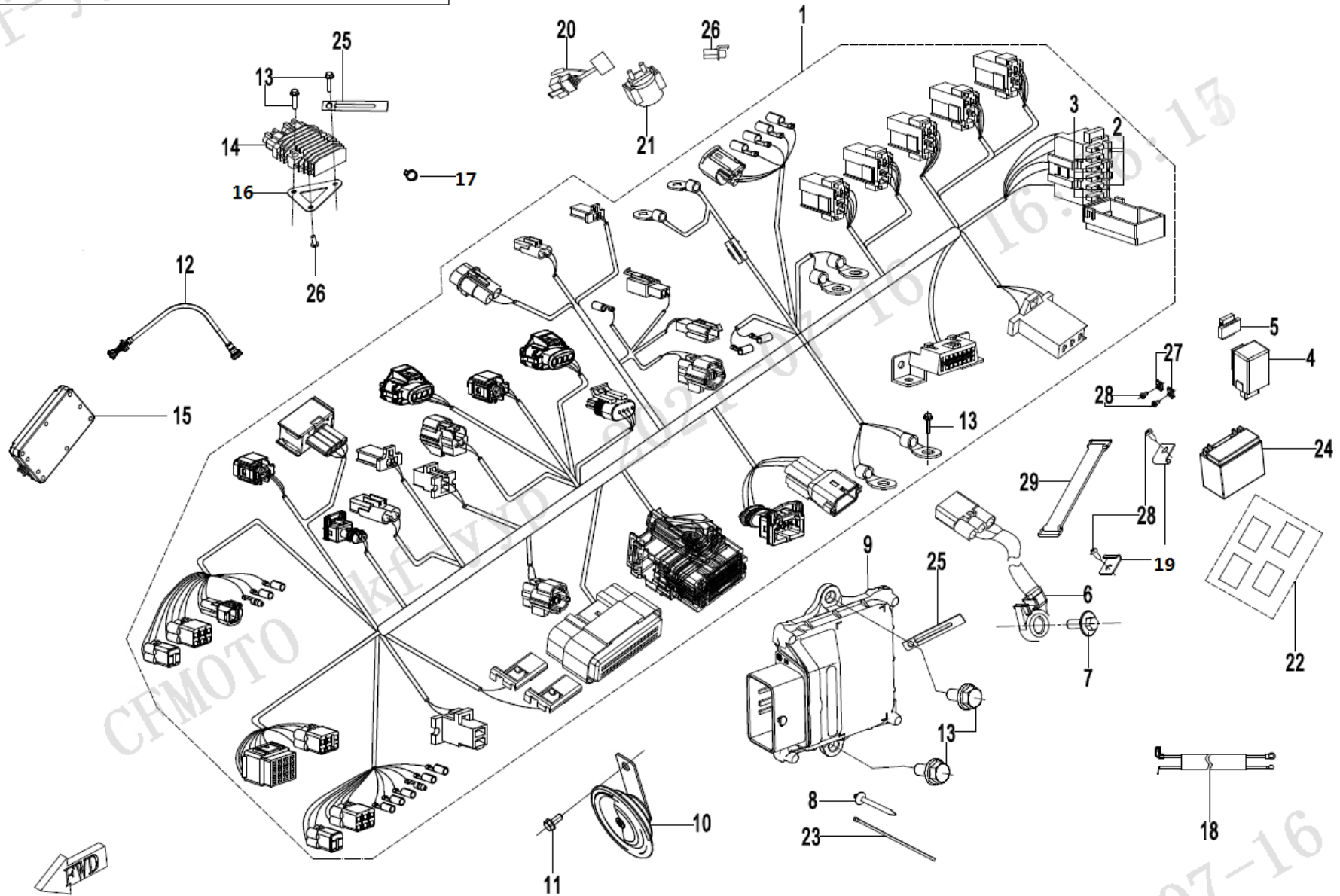


F14 脚蹬 FOOTREST

Item No.	Parts Number	Parts Name(EN)	Parts Name(CN)	Qty	Specification
01	6KMV-140100-B000	BRACKET ASSY, LH FOOTREST	左脚蹬支架组件	1	
02	6KMV-140030-8100-0BP00	BRACKET, LH REAR FOOREST	左后脚蹬支架	1	MAUD SPIRIT BLACK
03	6KMV-140040-8100-0BP00	BRACKET, LH REAR FOOREST	右后脚蹬支架	1	MAUD SPIRIT BLACK
04	6KMV-140200-B000	BRACKET ASSY, RH FOOTREST	右脚蹬支架组件	1	
05	6KM0-140103	FLANGE BOLT, M8x25	凸台螺栓	4	M8x25
06	30102-060012810	SCREW	内六角螺钉M6X12	1	
07	0180-014010	WIRE CLIP	线夹组合	1	
08	6KJ0-140132	RUBBER, LH FOOT PEDAL	左脚蹬橡皮组件	1	
09	30105-050014410	SCREW	螺钉	4	4@COLOR ZINC TRIVALENT CHROM
09	30105-050014470	SCREW	螺钉	4	
11	A000-140142	PIN SHAFT Dia 8	销轴φ8	2	Dia 8
12	A000-140106	LOCATING GASKET 2	定位垫片II	2	
13	5190-037813	SPRING	弹簧	2	
14	5190-037814	STEEL BALL	钢珠	2	
15	A000-140104	LOCATING GASKET 1	定位垫片I	2	
16	30802-00605	CIRCLIP	开口挡圈	2	6
17	6KJ0-140150-2BP00	LH REAR FOOTREST PEDAL	左后脚蹬组件_莫德灵黑	1	MAUD SPIRIT BLACK
18	6KJ0-140142	RUBBER ASSY, RH FOOTREST	右脚蹬橡皮组件	1	
20	6KJ0-140160-2BP00	RH REAR FOOTREST PEDAL	右后脚蹬组件_莫德灵黑	1	MAUD SPIRIT BLACK
21	A000-140141	PIN SHAFT Dia 12	销轴φ12	2	Dia 12
22	A000-140103-20000	SPRING	扭簧	2	
23	30802-00903	CIRCLIP 9	开口挡圈9	2	9
24	6KM0-140170	RUBBERS, FOOTREST	脚蹬橡皮组件	2	
26	6KM0-130123	LIMIT BOLT	限位螺栓	2	
27	6KM0-140130-1BP00	LH FRONT FOOTREST PEDAL	左前脚蹬组件_莫德灵黑	1	MAUD SPIRIT BLACK
29	6KM0-140140-1BP00	RH FRONT FOOTREST PEDAL	右前脚蹬组件_莫德灵黑	1	MAUD SPIRIT BLACK
30	30102-080020810	SCREW M8x20	螺钉	4	M8x20
31	6KM#-140001-8001-0BP00	BALANCE BLOCK, FOOTREST	脚蹬平衡块	2	MAUD SPIRIT BLACK
32	6NTG-200419	BUSHING	衬套	4	

Item No.	Parts Number	Parts Name(EN)	Parts Name(CN)	Qty	Specification
33	6KMV-140001-B000	DAMPER	减震垫	4	
34	30305-050112	WASHER	垫圈	4	5
35	30102-050030860	SCREW M5x30	螺钉	4	M5x30
36	6NQ#-140801-6000	T-TYPE BUSHING	T型衬套	2	
37	30309-080870	WASHER	垫圈	2	

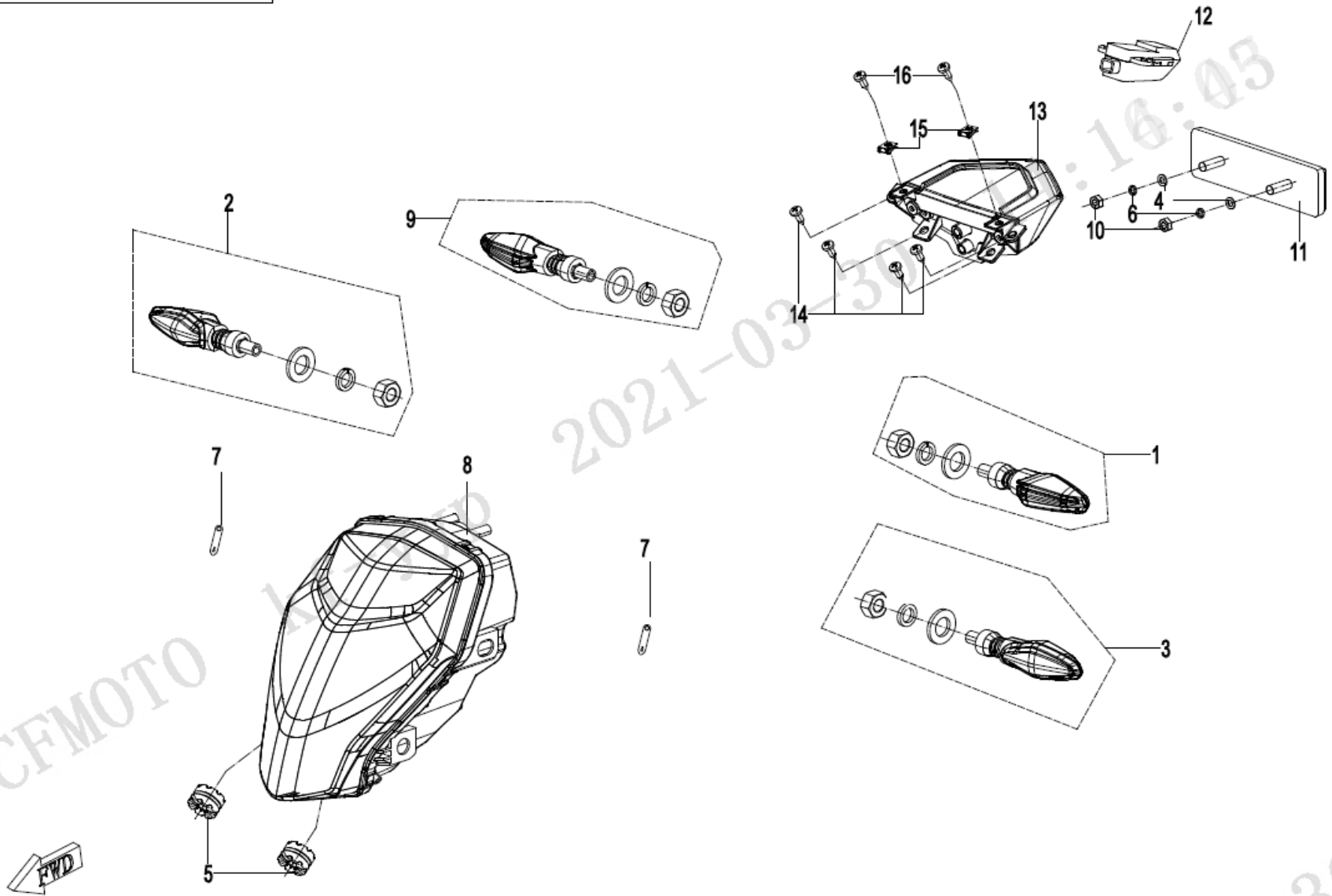
电器系统/ELECTRIC SYSTEM



F15 电气系统 ELECTRIC SYSTEM

Item No.	Parts Number	Parts Name(EN)	Parts Name(CN)	Qty	Specification
01	6KMV-150100-B301-10	MAIN CABLE	主线束	1	For MSE8.0
02	806A-151302	FUSE 10A	保险丝_10A	3	10A
03	806A-151305	FUSE 15A	保险丝_15A	6	15A
04	6KM0-150340	FLASHER	闪烁器	1	
05	6100-150500	RUBBER SLEEVE, FLASHER	闪烁器安装橡胶套	1	
06	6KMV-151200-8501	SIDE STAND SWITCH	边撑开关	1	
07	8010-090005	BOLT M6x16	螺栓M6×16	1	M6x16
08	7030-150005	TIE BAND	扎带	5	
09	6KMV-001000-8911	ECU ASSY	ECU总成	1	For MSE8.0-ABS
10	6050-150500	ELECTRIC HORN	电喇叭	1	
11	30006-080014810	BOLT M8x14	螺栓	1	M8x14
12	6KMV-176000-8400	OXYGEN SENSOR	氧传感器	1	For MSE8.0
13	30006-060012810	BOLT M6x12	螺栓M6×12	3	M6x12
14	6KJC-177000-8000	REGULATOR	整流调压器	1	
15	6GUV-151800-7501-M1	T-BOX	智能中控	1	Eurasia and Africa and Australia exc
16	6KM#-151000-8000	BRACKET, REGULATOR	整流器安装支架	1	
17	6KMV-150901-B001	RUBBER RING, T-BOX	T-BOX橡胶圈	2	
18	6KMV-150020-8004	POSITIVE CABLE, STARTER MOTOR	起动马达正级线	1	
19	A000-030005	TIE BAND BRACKET, TOOLS KIT	随车工具拉带支架	2	
20	6KMV-152700-8500-10	GEAR CONTROL UNIT	档位控制块	1	MSE8.0
21	6KJ0-150500	RELAY, STARTER	启动继电器	1	
22	9010-120008	FUEL TANK SPONGE	油箱海绵块	5	
24	31020902	BATTERY	蓄电池	1	
25	0180-014010	WIRE CLIP	线夹组合	2	
26	30202-060110	NUT M6	螺母	1	M6
27	8080-000002	CLIP NUT ST4.8	夹板ST4.8	2	ST4.8
28	30110-481130010	SELF-TAPPING SCREW ST4.8x13	自攻螺钉	4	ST4.8x13
29	1080-150700	TIE BAND, BATTERY	蓄电池拉带	1	

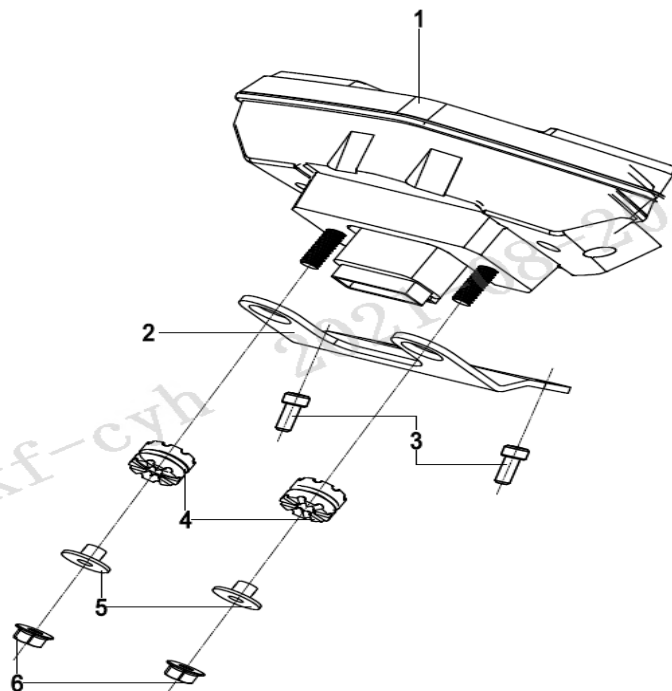
F16照明及信号总成/LAMP ASSY



F16 灯具 LIGHTS

Item No.	Parts Number	Parts Name(EN)	Parts Name(CN)	Qty	Specification
01	6KM0-160400-00004	FRONT TURN LIGHT, LH	前左转向灯	1	
02	6KM#-160500-8000	RH FRONT TURN LIGHT	右前转向灯	1	
03	6KM#-160400-8000	LH FRONT TURN LIGHT	左前转向灯	1	
04	30304-050440	WASHER	垫圈	2	
05	8080-040064	DAMPER, FRONT FENDER	前围缓冲橡胶套	2	
06	30303-050042	WAHSER	垫圈	2	
07	6KJ0-100002	CLUTCH PULL BINDING	离合器拉锁绑带	2	
08	6KMV-160100-B102	HEADLIGHT	前照灯	1	
09	6KM0-160500-00004	FRONT TURN LIGHT, RH	前右转向灯	1	
10	30200-050810	NUT M5	螺母	2	M5
11	6KM0-160230-00001	REAR REFLECTOR	后反射器	1	
12	6KNV-160600-6400	LICENSE LIGHT	牌照灯	1	
13	6KMV-160200-B101	TAIL LIGHT	后尾灯	1	
14	30110-421130010	SCREW	自攻螺钉	4	ST4.2x13
15	8080-000002	CLIP NUT ST4.8	夹板ST4.8	2	ST4.8
16	30110-481130010	SELF-TAPPING SCREW ST4.8x13	自攻螺钉	2	ST4.8x13

仪表总成/DASHBOARD ASSY



CFMOTO

kf-cyh

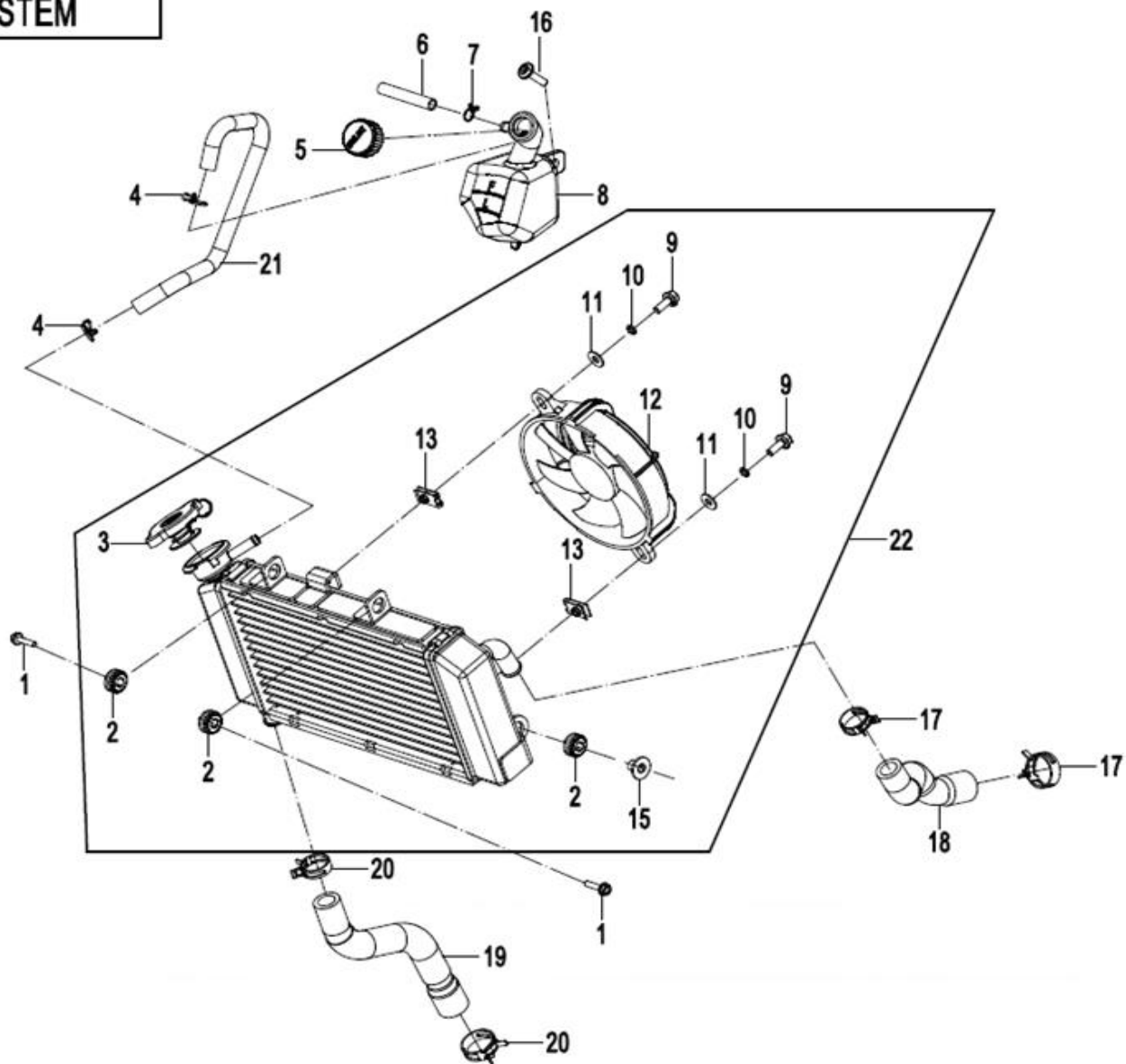
09:58:29

21-08-20

F17-B 仪表 DASHBOARD

Item No.	Parts Number	Parts Name(EN)	Parts Name(CN)	Qty	Specification
01	6KMV-170100-B000-10	LCD DASHBOARD	液晶仪表	1	
02	6KM0-030004-0B200	MOUNTING BRACKET ,DASHBOARD	仪表安装支架	1	MATTE BLACK
03	30102-060016810	SCREW	螺钉M6×16	2	
04	5020-031001	RUBBER SLEEVE, FRONT LICENSE BRACKET	前牌照支架橡胶胶套	2	
05	5020-031002	RUBBER SLEEVE LINER, FRONT LICENSE BRACKET	前牌照支架橡胶套衬套	2	
06	30202-060110	NUT M6	螺母	2	M6
07	6KM0-170310	ADAPTOR CABLE, DASHBOARD	仪表转接线	1	

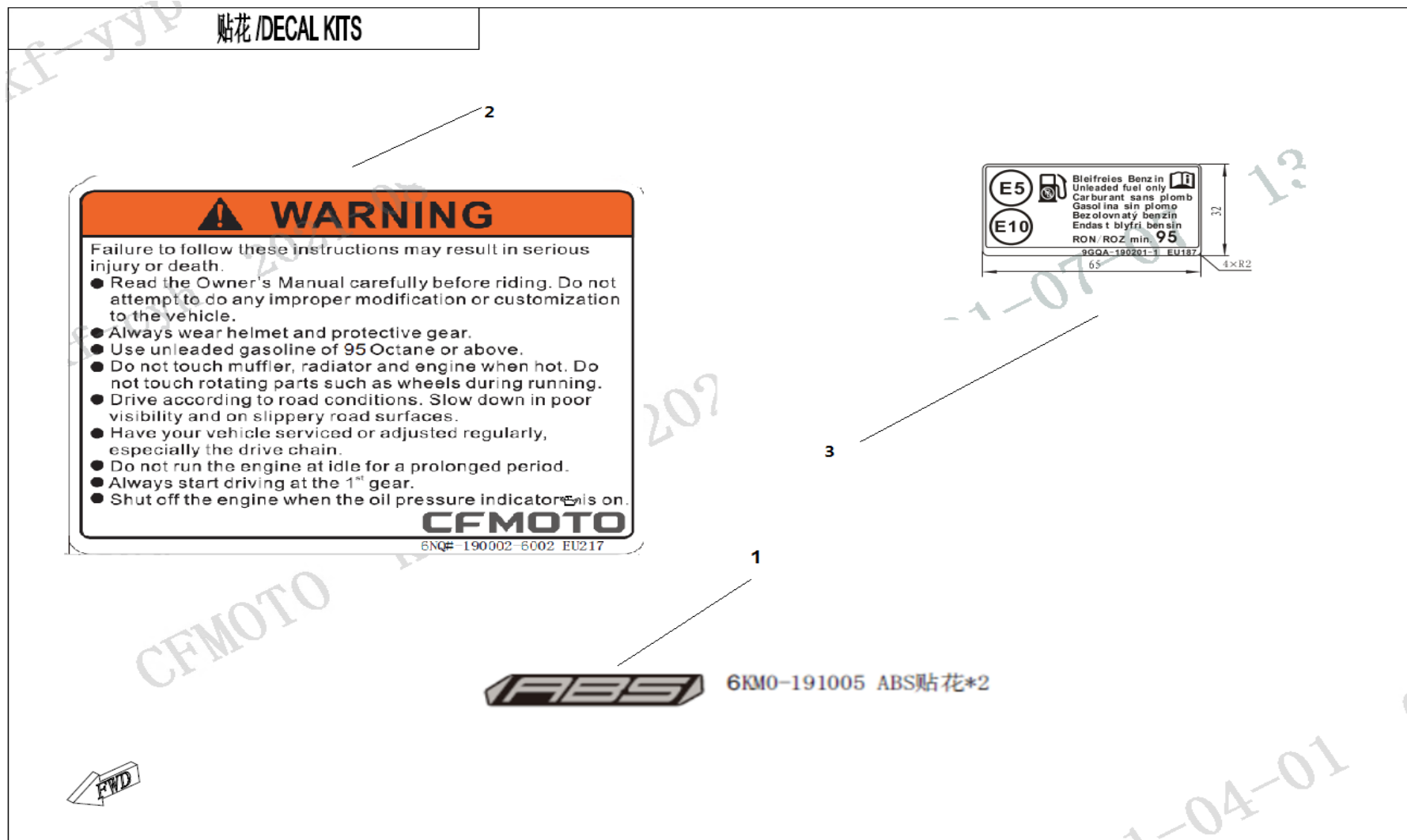
冷却系统 / COOLING SYSTEM



F18 冷却系统 COOLING SYSTEM

Item No.	Parts Number	Parts Name(EN)	Parts Name(CN)	Qty	Specification
01	30006-060020810	BOLT M6x20	螺栓M6×20	2	M6x20
02	6KM#-181001-8001	DAMPING RUBBER MAT	减震胶垫	3	
03	6KMV-181010-4000	CAP, WATER FILLER	加水口盖组件	1	
04	30601-113010	CLAMP A13	环箍	2	A13
05	6KJO-180302	CAP, RESERVOIR TANK	副水箱盖	1	
06	6KMV-180001-B001	OVERFLOW HOSE, RESERVOIR	副水箱漏水管	1	
07	30601-109010	CLAMP A9	环箍	1	
08	6KJO-180310	RESERVIOR TANK ASSY	副水箱组件	1	
09	30006-060016810	BOLT M6x16	螺栓	2	M6x16
10	30306-060112	WASHER	垫圈	2	6
11	30303-060112	WASHER	垫圈	2	6
12	6KMV-181200-6002	FAN MOTOR ASSY	电机风扇组合	1	
13	8030-040800-00001	NUT CLIP M6	M6螺母夹	2	M6
15	9060-180029	RUBBER CUSHION TUBE, RADIATOR	散热器缓冲胶套套管	1	
16	8010-000004	BOLT M6x14	凸缘螺栓M6×14	1	M6x14
17	6100-180001	CLAMP B24	环箍B24	2	
18	6KM0-180001	WATER INLET HOSE, RADIATOR	散热器进水管	1	
19	6KM0-180002	WATER OUTLET HOSE, RADIATOR	散热器出水管	1	
20	6KM0-180004	CLAMP B28	卡箍 B28	2	
21	6KMV-180004-B000	CONNECTING PIPE, RESERVOIR TANK	副水箱连接管	1	
22	6KMV-181000-B000	RADIATOR FAN ASSY	散热器风扇组合	1	

贴花 /DECAL KITS



F19 贴花 DECAL KITS

Item No.	Parts Number	Parts Name(EN)	Parts Name(CN)	Qty	Specification
01	6KM0-191005	ABS DECAL	ABS贴花	2	
02	6NQ#-190002-6002	INSTRUCTION LABEL, SAFETY WARNING	安全警告说明标题	1	
03	9GQA-190201-10000	WARNING LABEL, FUEL FILLING PORT	加油口警告标贴	1	

kf-yyp

CF250-B 贴花

雅典蓝配色

6KMV-190200-B000 个性贴花总成

透明3M 2008面材
哑光光油

刀模线 定位线

■ 星光黑
■ 雅典蓝
■ 电镀银

序号	图号	名称	尺寸	数量	工件形状	工件材料	工件表面处理
01	6KMV-190201-B000	油箱右安装板贴花	184*52	1	曲面	ABS	烤漆

序号	图号	名称	尺寸	数量	工件形状	工件材料	工件表面处理
02	6KMV-190202-B000	油箱左安装板贴花	184*52	1	曲面	ABS	烤漆

CFMOTO

序号	图号	名称	尺寸	数量	工件形状	工件材料	工件表面处理
03	6KMV-190203-B000	"CFMOTO" 贴花	87*14	2	曲面	ABS	水转印(光滑表面)

250NK

序号	图号	名称	尺寸	数量	工件形状	工件材料	工件表面处理
04	6KMV-190204-B000	后右安装板贴花	165*20	1	曲面	ABS	烤漆

250NK

序号	图号	名称	尺寸	数量	工件形状	工件材料	工件表面处理
05	6KMV-190205-B000	后左安装板贴花	165*20	1	曲面	ABS	烤漆

透明100E面材+3M 9080背胶
亮光光油

序号	图号	名称	尺寸	数量	工件形状	工件材料	工件表面处理
06	6KMV-190206-B000	轮碟右贴花I	416*120	2	大曲面	铝件	喷丸+喷漆

序号	图号	名称	尺寸	数量	工件形状	工件材料	工件表面处理
07	6KMV-190207-B000	轮碟左贴花I	416*120	2	大曲面	铝件	喷丸+喷漆

CFMOTO

序号	图号	名称	尺寸	数量	工件形状	工件材料	工件表面处理
08	6KMV-190208-B000	轮碟右贴花II	472*25	2	大曲面	铝件	喷丸+喷漆

CFMOTO

序号	图号	名称	尺寸	数量	工件形状	工件材料	工件表面处理
09	6KMV-190209-B000	轮碟左贴花II	472*25	2	大曲面	铝件	喷丸+喷漆

透明3M 2008面材
亮光光油

■ 钛金灰 CF250-B

序号	图号	名称	尺寸	数量	工件形状	工件材料	工件表面处理
10	6KMV-190113-B000-10	型号贴花	67*8	2	曲面	ABS	烤漆

增加定位线

序号	图号	名称	尺寸	数量	工件形状	工件材料	工件表面处理
11	6KMV-190211-B000	LOGO贴花	直径36mm	1	曲面	ABS	烤漆

F19-A 贴花(雅典蓝) DECAL KITS(ATHENS BLUE)

Item No.	Parts Number	Parts Name(EN)	Parts Name(CN)	Qty	Specification
1	6KMV-190201-B000	DECAL, FUEL TANK RH DECO PLATE	油箱右装饰板贴花	1	ATHENS BLUE
2	6KMV-190202-B000	DECAL, FUEL TANK LH DECO PLATE	油箱左装饰板贴花	1	ATHENS BLUE
3	6KMV-190203-B000	CFMOTO STICKER	CFMOTO贴花	2	ATHENS BLUE
4	6KMV-190204-B000	DECAL, REAR RH DECO PLATE	后右装饰板贴花	1	ATHENS BLUE
5	6KMV-190205-B000	DECAL, REAR LH DECO PLATE	后左装饰板贴花	1	ATHENS BLUE
6	6KMV-190206-B000	RH DECAL 1, RIM	轮辋右贴花I	2	ATHENS BLUE
7	6KMV-190207-B000	LH DECAL 1, RIM	轮辋左贴花I	2	ATHENS BLUE
8	6KMV-190208-B000	RH DECAL 2, RIM	轮辋右贴花II	2	ATHENS BLUE
9	6KMV-190209-B000	LH DECAL 2, RIM	轮辋左贴花II	2	ATHENS BLUE
10	6KMV-190113-B000-10	MODEL DECAL	型号贴花	2	ATHENS BLUE
11	6KMV-190211-B000	LOGO DECAL	LOGO贴花	1	ATHENS BLUE

CF250-B 贴花

星光黑配色

6KMY-190100-B000-11 个性贴花总成

— 刀模线 — 定位线

星光黑
火焰橙
光速灰

序号	图号	名称	尺寸	数量	工件形状	工件材料	工件表面处理
01	6KMY-190101-B000-11	油箱右装饰板贴花I	441*61	1	曲面	ABS	烤漆

序号	图号	名称	尺寸	数量	工件形状	工件材料	工件表面处理
02	6KMY-190102-B000-11	油箱左装饰板贴花I	441*61	1	曲面	ABS	烤漆

透明100E面材+3M 9080背胶 哑光光油

PP收纹 (颜色效果)

序号	图号	名称	尺寸	数量	工件形状	工件材料	工件表面处理
03	6KMY-190103-B000-11	油箱右装饰板贴花II	104*26	1	曲面	PP	反纹

序号	图号	名称	尺寸	数量	工件形状	工件材料	工件表面处理
04	6KMY-190104-B000-11	油箱左装饰板贴花II	104*26	1	曲面	PP	反纹

CFMOTO

序号	图号	名称	尺寸	数量	工件形状	工件材料	工件表面处理
05	6KMY-190105-B000-11	"CFMOTO" 贴花	87*14	2	曲面	ABS	烤漆

序号	图号	名称	尺寸	数量	工件形状	工件材料	工件表面处理
06	6KMY-190106-B000-11	后左装饰板贴花	216*22	1	曲面	ABS	烤漆

序号	图号	名称	尺寸	数量	工件形状	工件材料	工件表面处理
07	6KMY-190107-B000-11	后右装饰板贴花	216*27	1	曲面	ABS	烤漆

透明3M 2008面材 亮光光油

增加定位线

序号	图号	名称	尺寸	数量	工件形状	工件材料	工件表面处理
13	6KMY-190114-B000-11	LOGO贴花	直径36mm	1	曲面	ABS	烤漆

钛金灰 CF250-B

序号	图号	名称	尺寸	数量	工件形状	工件材料	工件表面处理
12	6KMY-190113-B000-10	型号贴花	67*8	2	曲面	ABS	烤漆

透明100E面材+3M 9080背胶 亮光光油

序号	图号	名称	尺寸	数量	工件形状	工件材料	工件表面处理
08	6KMY-190108-B000-11	侧板右贴花I	416*120	2	大曲面	铝件	喷丸+喷漆

序号	图号	名称	尺寸	数量	工件形状	工件材料	工件表面处理
09	6KMY-190109-B000-11	侧板左贴花I	416*120	2	大曲面	铝件	喷丸+喷漆

透明100E面材+3M 9080背胶 亮光光油

CFMOTO

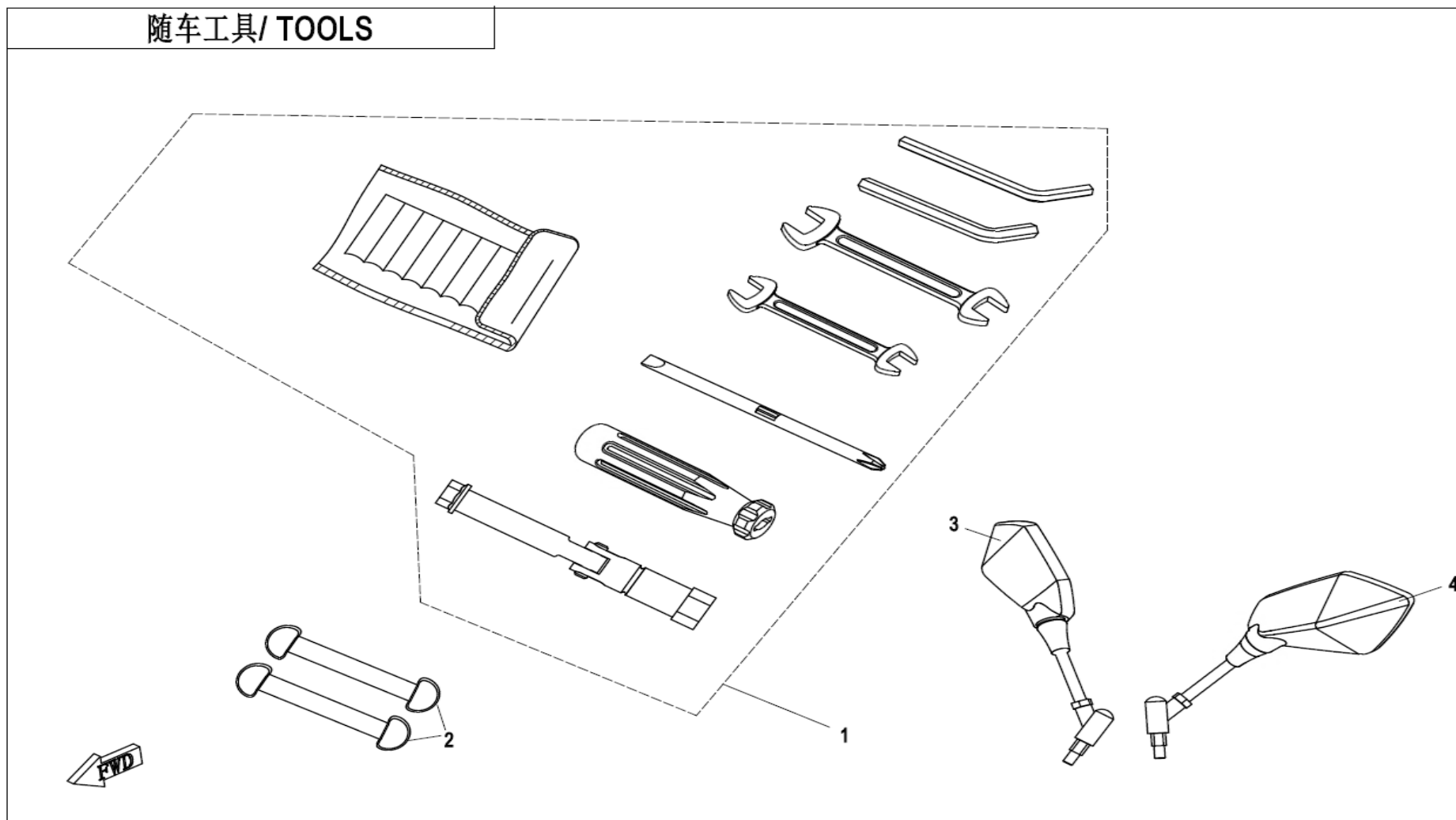
序号	图号	名称	尺寸	数量	工件形状	工件材料	工件表面处理
11	6KMY-190112-B000-11	侧板右贴花II	472*25	2	大曲面	铝件	喷丸+喷漆

序号	图号	名称	尺寸	数量	工件形状	工件材料	工件表面处理
10	6KMY-190111-B000-11	侧板左贴花II	472*25	2	大曲面	铝件	喷丸+喷漆

F19-B 贴花(星光黑) DECAL KITS(NEBULA BLACK)

Item No.	Parts Number	Parts Name(EN)	Parts Name(CN)	Qty	Specification
1	6KMV-190101-B000-11	DECAL 1, FUEL TANK RH DECO PLATE	油箱右装饰板贴花I	1	NEBULA BLACK
2	6KMV-190102-B000-11	DECAL 1, FUEL TANK LH DECO PLATE	油箱左装饰板贴花I	1	NEBULA BLACK
3	6KMV-190103-B000-11	DECAL 2, FUEL TANK RH DECO PLATE	油箱右装饰板贴花II	1	NEBULA BLACK
4	6KMV-190104-B000-11	DECAL 2, FUEL TANK LH DECO PLATE	油箱左装饰板贴花II	1	NEBULA BLACK
5	6KMV-190105-B000-11	CFMOTO STICKER	CFMOTO贴花	2	NEBULA BLACK
6	6KMV-190106-B000-11	DECAL, REAR RH DECO PLATE	后右装饰板贴花	1	NEBULA BLACK
7	6KMV-190107-B000-11	DECAL, REAR LH DECO PLATE	后左装饰板贴花	1	NEBULA BLACK
8	6KMV-190108-B000-11	RH DECAL 1, RIM	轮辋右贴花I	2	NEBULA BLACK
9	6KMV-190109-B000-11	LH DECAL 1, RIM	轮辋左贴花I	2	NEBULA BLACK
10	6KMV-190111-B000-11	RH DECAL 2, RIM	轮辋右贴花II	2	NEBULA BLACK
11	6KMV-190112-B000-11	LH DECAL 2, RIM	轮辋左贴花II	2	NEBULA BLACK
12	6KMV-190113-B000-10	MODEL DECAL	型号贴花	2	NEBULA BLACK
13	6KMV-190114-B000-11	LOGO DECAL	LOGO贴花	1	NEBULA BLACK

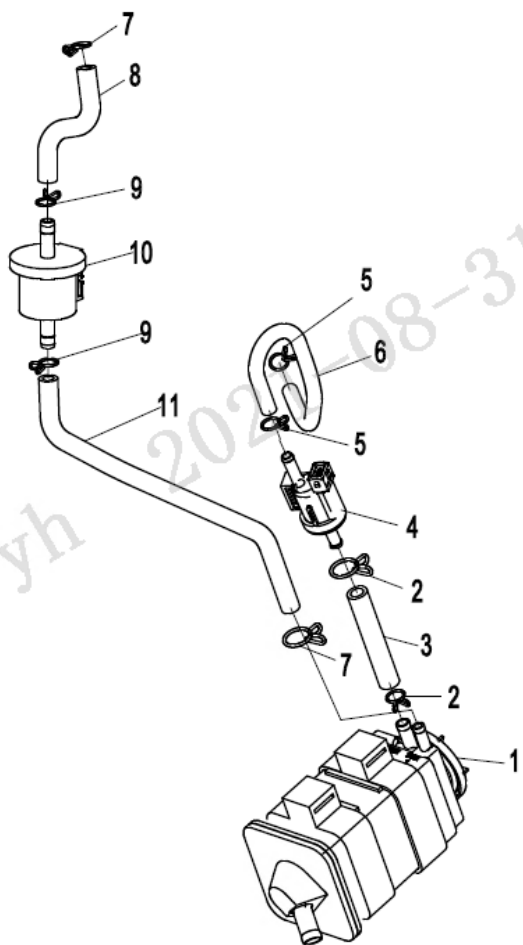
随车工具/ TOOLS



F20 随车工具 TOOLS

Item No.	Parts Number	Parts Name(EN)	Parts Name(CN)	Qty	Specification
01	6NQ0-200100-10000	TOOLS	随车工具	1	
02	8010-000012	TIE BAND ASSY	弹性扣带组件	2	
03	6NNTV-200400-4000	RH REAR VIEW MIRROR ASSY	右后视镜总成	1	
04	6NNTV-200300-4000	LH REAR VIEW MIRROR ASSY	左后视镜总成	1	

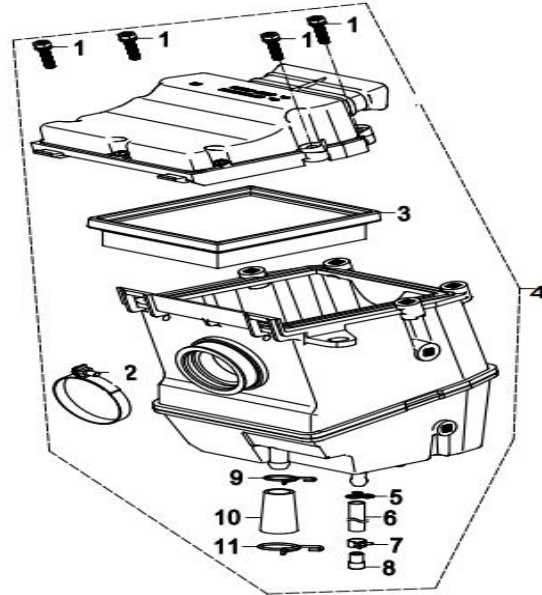
F36燃油蒸发系统/FUEL EXHALATION SYSTEM



F36 燃油蒸发系统 FUEL EVAPORATION SYSTEM

Item No.	Parts Number	Parts Name(EN)	Parts Name(CN)	Qty	Specification
01	6NT1-360200	CANISTER	炭罐	1	
02	30601-112010	CLAMP A12	环箍	2	A12
03	6NQ0-360005	FUEL VAPOR HOSE 5	燃油蒸气管V	1	
04	1F30-172000	CANISTER MAGNETIC VALVE	炭罐电磁阀	1	
05	30601-107010	CLAMP A7	环箍A7	2	A7
06	6KM0-360003	FUEL VAPERIZATION PIPE 3	燃油蒸发管III	1	
07	30601-109010	CLAMP A9	环箍	2	
08	6KM0-360001	FUEL VAPERIZATION PIPE I	燃油蒸发管I	1	
09	30601-110010	CLAMP A10	环箍	2	A10
10	9GQ0-360100	TWO-WAY VALVE	双向阀	1	
11	6KM0-360002	FUEL VAPERIZATION PIPE 2	燃油蒸发管II	1	

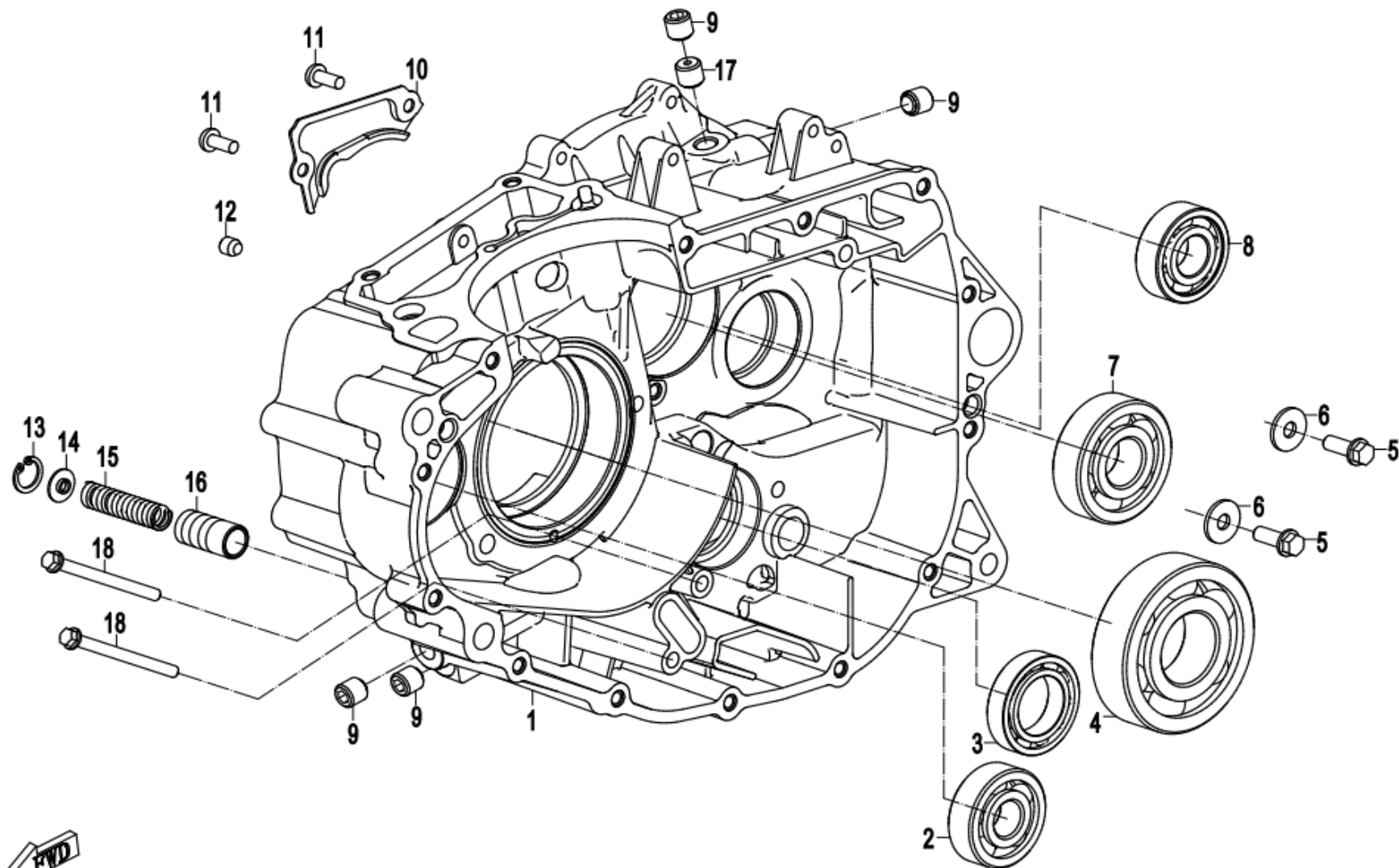
空滤器/AIR FILTER



F41 空滤器 AIR FILTER

Item No.	Parts Number	Parts Name(EN)	Parts Name(CN)	Qty	Specification
01	30114-060025470	SCREW ASSY M6x25	螺钉组合件	4	M6x25
02	ODM0-110200	CLAMP ASSY	卡箍组件	1	
03	ODM0-110100	AIR FILTER ELEMENT	空滤滤芯组件	1	
04	ODN0-110000-00001	AIR FILTER ASSY	空滤器总成	1	
05	30601-110010	CLAMP A10	环箍	1	A10
06	ODM0-110010-10000	OIL STORAGE HOSE	储油管	1	
07	30601-210530	CLAMP B10.5	环箍B10.5	1	B10.6
08	ODM0-110012	PLUG, OIL STORAGE HOSE	储油管堵头	1	
09	30601-116010	CLAMP A16.5	环箍A16.5	1	
10	ODM0-110009	BREATHER HOSE	通气管	1	
11	30601-120030	CLAMP A20	环箍A20	1	A20

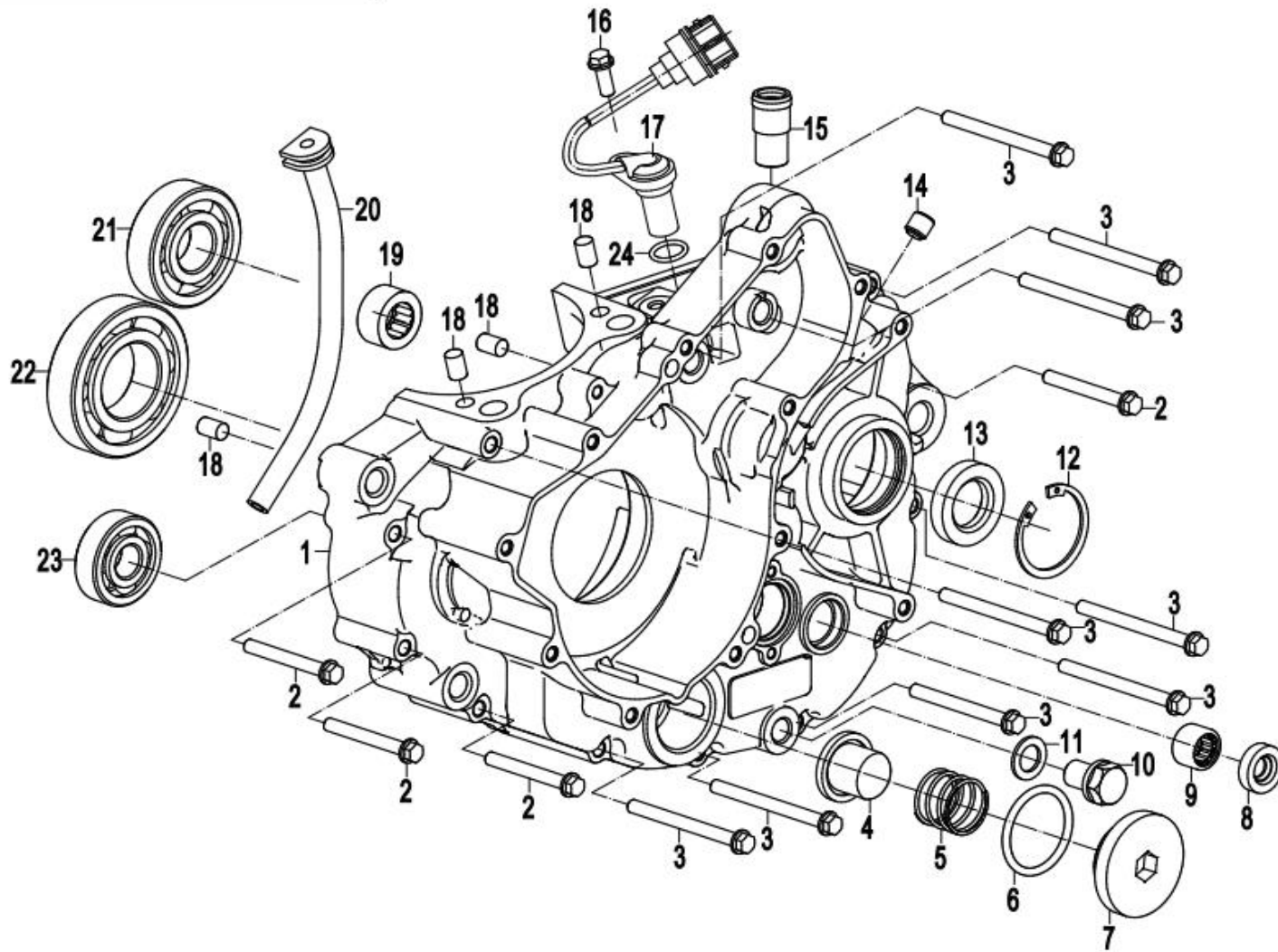
右曲轴箱分总成/RIGHT CRANKCASE



E01-1 右曲轴箱分总成 RIGHT CRANKCASE

Item No.	Parts Number	Parts Name(EN)	Parts Name(CN)	Qty	Specification
01	ODM0-012010-0B203	RH CRANKCASE ASSY	右曲轴箱组件	1	MATTE BLACK
01	ODM0-012010-0BP03	RH CRANKCASE ASSY	右曲轴箱组件	1	
02	30499-01507	BEARING	滚动轴承	1	
03	30499-02506	BEARING	滚动轴承	1	
04	30499-03001	BEARING	滚动轴承	1	
05	0010-090005-0010	BOLT M6x16	螺栓	2	M6x16
06	30305-060112	WASHER	垫圈	2	6
07	30499-02005	BEARING	滚动轴承	1	
08	30499-01700	BEARING	滚动轴承	1	6303C3@NTN
09	01A0-012010-00001	SCREW	螺钉R2 1/8	4	
10	ODM0-012001	VENTILATED COVER PLATE	通气盖板	1	
11	30105-050012890	SCREW M5x12	螺钉M5×12	2	M5x12
12	0A70-013004	PLUG	堵头	1	
13	30800-01405	CIRCLIP FOR HOLE 14	孔用弹性挡圈14	1	14
14	0800-073004	SPRING SEAT, RELIEF VALVE	限压阀弹簧座	1	
15	01A0-012007	SPRING, RELIEF VALVE	限压阀弹簧	1	
16	ODM0-012003	CORE, RELIEF VALVE	限压阀芯	1	
17	ODM0-012002	RESTRICTION PLUG	节流塞	1	
18	0020-011018-00001	BOLT	螺栓	2	
18	0020-011018-0010	BOLT M6x70	螺栓	2	M6x70

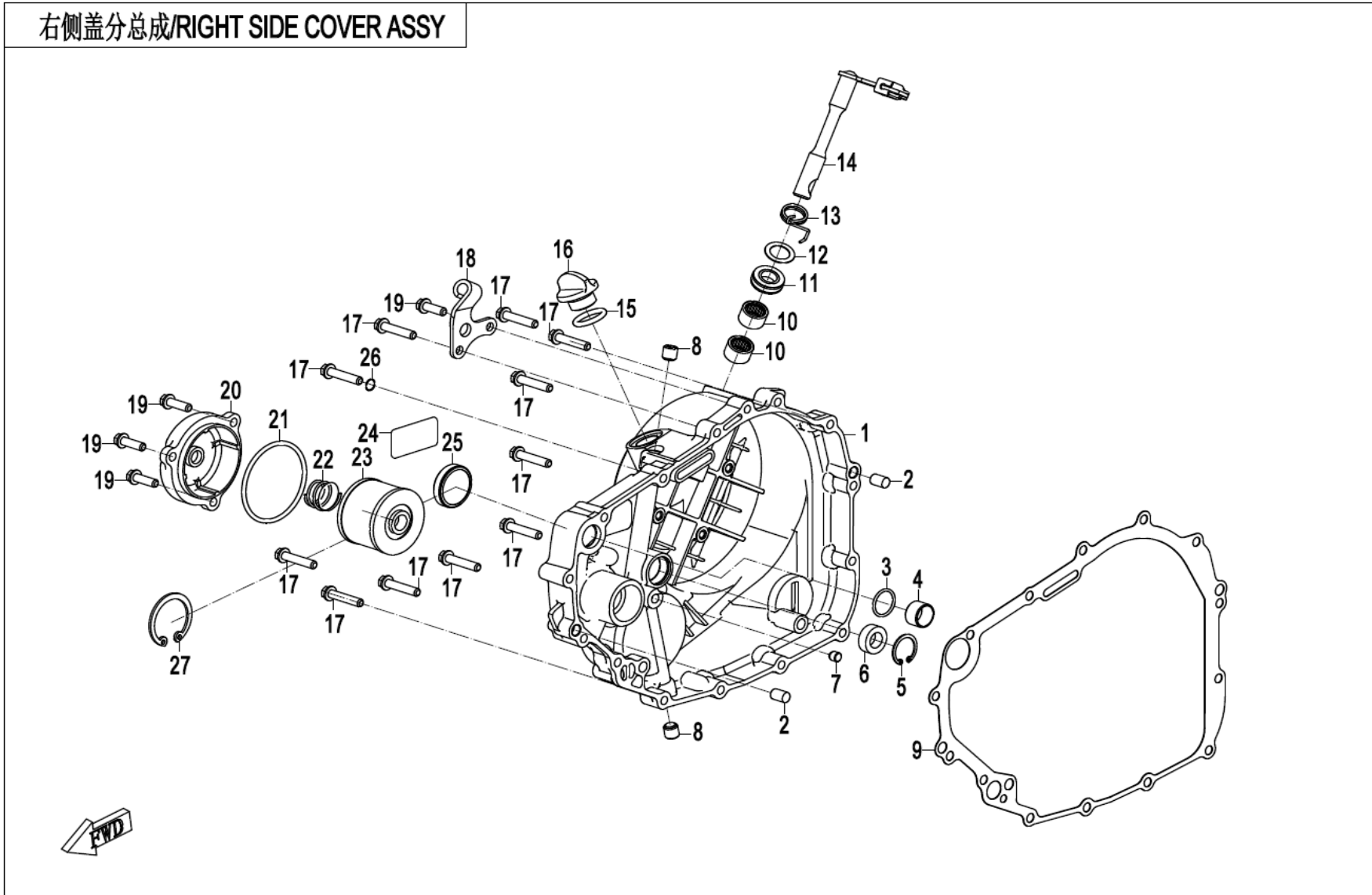
左曲轴箱分总成 LEFT CRANKCASE



E01-2 左曲轴箱分总成 LEFT CRANKCASE

Item No.	Parts Number	Parts Name(EN)	Parts Name(CN)	Qty	Specification
01	ODM0-011010-0B203	LH CRANKCASE ASSY.	左曲轴箱组件	1	
01	ODM0-011010-0BP02	LH CRANKCASE ASSY	左曲轴箱组件	1	
01	ODM0-011010-0BP03	LH CRANKCASE	左曲轴箱组件	1	
02	0010-013010-0010	BOLT M6x50	螺栓	4	M6x50
03	0020-011018-00001	BOLT	螺栓	9	
03	0020-011018-0010	BOLT M6x70	螺栓	9	M6x70
04	ODM0-011030	OIL STRAINER	机油滤网	1	
05	01A0-012009	SCREEN SPRING	滤网压簧	1	
06	01A0-012003	O-SEAL RING 35x3.5	O形密封圈	1	35x3.5
07	01A0-012002-0HB00	STRAINER COVER	滤网盖	1	
07	01A0-012002-0HA00	STRAINER COVER	滤网盖	1	SILVER GREY
08	0700-065220	OIL SEAL 13x22x5.5	油封	1	13x22x5.5
09	30403-01300	NEEDLE BEARING HK1312	滚针轴承HK1312	1	HK1312
10	0180-011500	DRAIN BOLT, MAGNETIC M12X1.5	磁性放油螺栓	1	M12x1.5
11	0010-021014	WASHER 12	垫圈12	1	12
12	30800-04005	CIRCLIP FOR HOLE	孔用弹性挡圈	1	
13	ODM0-011007	OIL SEAL 22x38x7	油封	1	
14	01A0-012010-00001	SCREW	螺钉R2 1/8	1	
15	0700-011103	PIPE BREATHER	呼吸器通气管	1	
16	0010-090005-0010	BOLT M6x16	螺栓	1	M6x16
17	ODM0-011060	PLUG, SPEED SENSOR	车速传感器堵头	1	
18	30410-00800	ROLLER	圆柱滚子	4	
19	ODM0-011050	BEARING 17x27x13	轴承	1	
20	ODM0-011005	OIL RETURN PIPE,ENGINE	回油管	1	
21	30499-02201	BEARING	滚动轴承	1	
22	30499-03501	BEARING	滚动轴承	1	
23	30499-01507	BEARING	滚动轴承	1	
24	ODM0-011006	O-SEAL RING 13x2	O形密封圈	1	

右侧盖分总成/RIGHT SIDE COVER ASSY

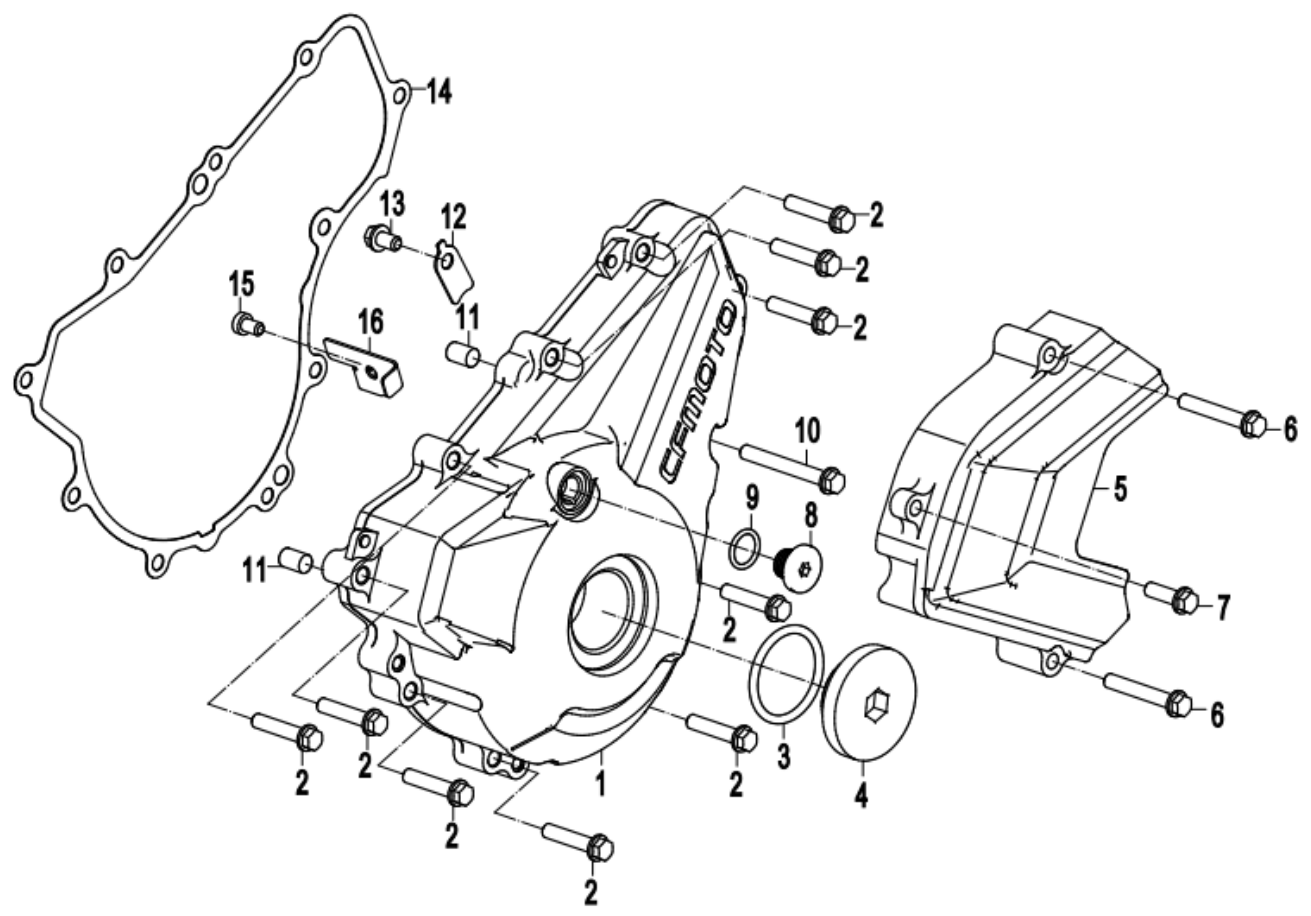


E01-3-B 右侧盖分总成(拉索版) RIGHT SIDE COVER(CABLE VERSION)

Item No.	Parts Number	Parts Name(EN)	Parts Name(CN)	Qty	Specification
01	ODMB-013005-1HB00	RH SIDE COVER	右侧盖	1	

Item No.	Parts Number	Parts Name(EN)	Parts Name(CN)	Qty	Specification
01	ODM0-013005-1HA03	RH SIDE COVER	右侧盖	1	SILVER GREY@TREATMENT POWDER
02	30410-00800	ROLLER	圆柱滚子	2	
03	30502-018000F	O-RING	O形圈	1	
04	ODM0-013002	WATER PIPE	过水管	1	
05	30800-02205	CIRCLIP FOR HOLE	孔用弹性挡圈	1	22
06	ODM0-013007	OIL SEAL,CRANKCASE	曲轴油封	1	
07	0A70-013004	PLUG	堵头	1	
08	01A0-012010-00001	SCREW	螺钉R2 1/8	2	
09	ODM0-013001-00001	GASKET, RH SIDE COVER	右侧盖密封垫	1	
10	30403-01200	NEEDLE BEARING HK1210	滚针轴承HK1210	2	HK1210
11	0010-080009	OIL SEAL	油封	1	12x20x5
12	0700-013007-10000	WASHER 12.5x18.5x0.6	垫圈	1	
13	0700-013006-10000	RETURN SPRING, CLUTCH LEVER	离合操纵杆回位扭簧	1	
14	ODM0-013300-30000	CLUTCH CONTROL SHAFT ASSY	离合控制轴组件	1	
15	0110-013030	O-SEAL RING 18x3.55	O形密封圈	1	18x3.55
16	0700-013008	PLUG, OIL FILLING	加油塞	1	
17	0010-060012-0010	BOLT M6x30	螺栓	11	M6x30
18	ODM0-013011-20000	BRACKET, CLUTCH CABLE	离合拉线支架	1	
19	0010-023010-0010	BOLT M6x20	螺栓	4	M6x20
20	ODM0-013003-0HB01	STRAINER COVER	机滤盖	1	
21	30502-057000F	O-RING 57x3	O形圈57x3	1	57x3
22	ODM0-013009	SPRING, FILTER ELEMENT	滤芯压簧	1	
23	ODM0-013200	OIL FILTER ASSY, ENGINE	机油滤芯组件	1	
25	0700-013100-00001	VIEWER, OIL LEVEL	油面观察窗组合	1	
26	0700-012201	O-SEAL RING 5x2	O形密封圈	1	5x2
27	0HU0-013009	RETAINER	钢丝挡圈	1	

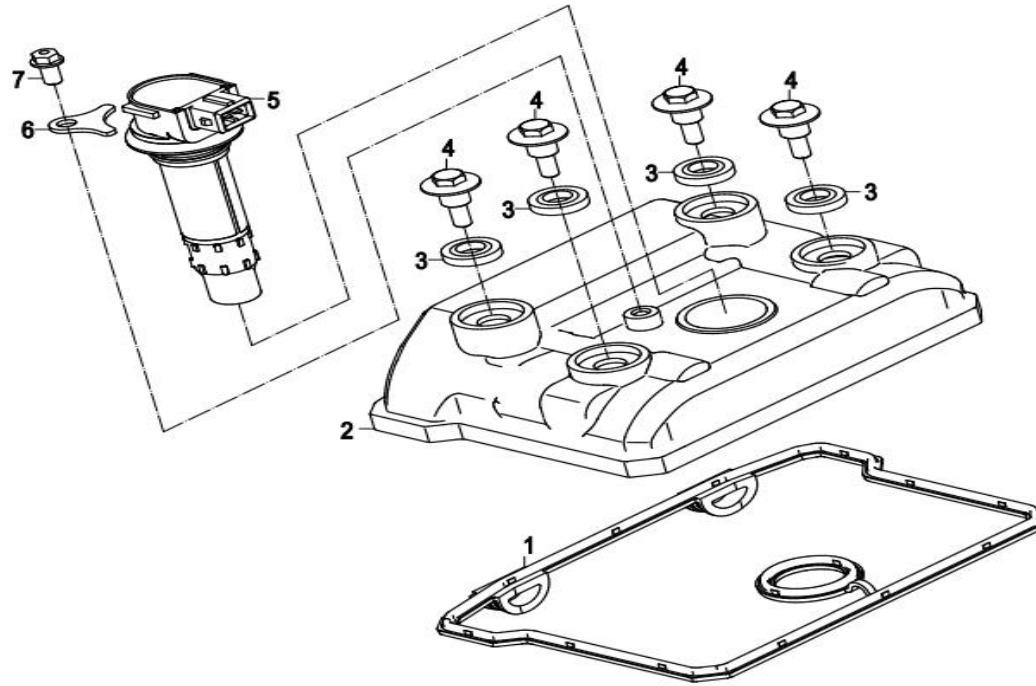
左侧盖分总成 LEFT SIDE COVER



E01-4 左侧盖分总成 LEFT SIDE COVER

Item No.	Parts Number	Parts Name(EN)	Parts Name(CN)	Qty	Specification
01	0DMB-014002-0HB00	LH SIDE COVER	左侧盖	1	VELOCITY GREY
02	0010-060012-0010	BOLT M6x30	螺栓	9	M6x30
03	01A0-012003	O-SEAL RING 35x3.5	O形密封圈	1	35x3.5
04	01A0-012002-0HB00	STRAINER COVER	滤网盖	1	
04	01A0-012002-0HA00	STRAINER COVER	滤网盖	1	SILVER GREY
05	0DM0-014100	REAR COVER ASSY, LH	左后盖组合	1	
06	0010-013009-0010	BOLT M6x40	螺栓	2	M6x40
07	0010-023010-0010	BOLT M6x20	螺栓	1	M6x20
08	0DM0-014003	VIEWING HOLE, TIMING INSPECTION	正时观察孔盖	1	
09	01A0-013005	O-SEAL RING	O形密封圈	1	13x2
10	0010-013010-0010	BOLT M6x50	螺栓	1	M6x50
11	30410-00800	ROLLER	圆柱滚子	2	
12	0DM0-014004	FIXING PAD, HARNESS	线束固定片	1	
13	0010-080010-0010	BOLT M6x10	螺栓	1	M6x10
14	0DM0-014001-00001	GASKET, LH SIDE COVER	左侧盖密封垫	1	
15	30102-050012810	SCREW M5x12	螺钉	1	M5x12
16	0A80-014005	WIRE CLAMP	导线压板	1	

气缸盖罩分总成 CYLINDER HEAD COVER

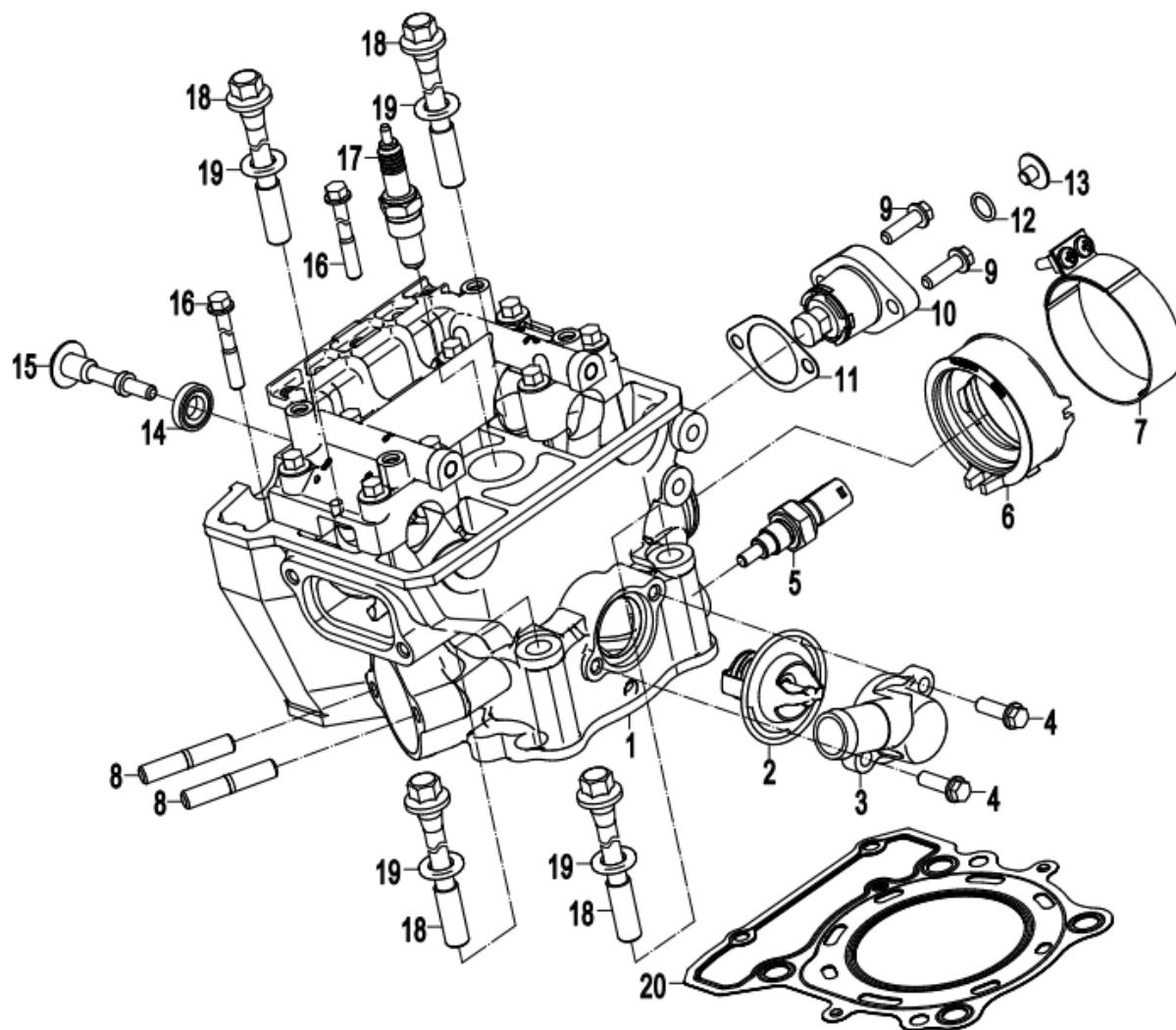


E02-1 气缸盖罩分总成 CYLINDER HEAD COVER

Item No.	Parts Number	Parts Name(EN)	Parts Name(CN)	Qty	Specification
01	ODM0-021100	SEAL RING ASSY, CYLINDER HEAD COVER	气缸盖罩密封圈组件	1	
02	ODM0-021001-0HB00	CYLINDER HEAD COVER	气缸盖罩	1	
02	ODM0-021001-0HA00	CYLINDER HEAD COVER	气缸盖罩	1	
03	0700-021200	SEAL RING, CYLINDER HEAD COVER BOLT	气缸盖罩螺栓密封圈	4	
04	0700-021003-00001	BOLT, CYLINDER HEAD COVER	气缸盖罩螺栓	4	
05	ODM0-178000	IGNITION COIL	点火线圈	1	
06	ODM0-021002	PRESS PLATE	压板	1	
07	0010-021019-0010	BOLT M6x12	螺栓	1	M6x12

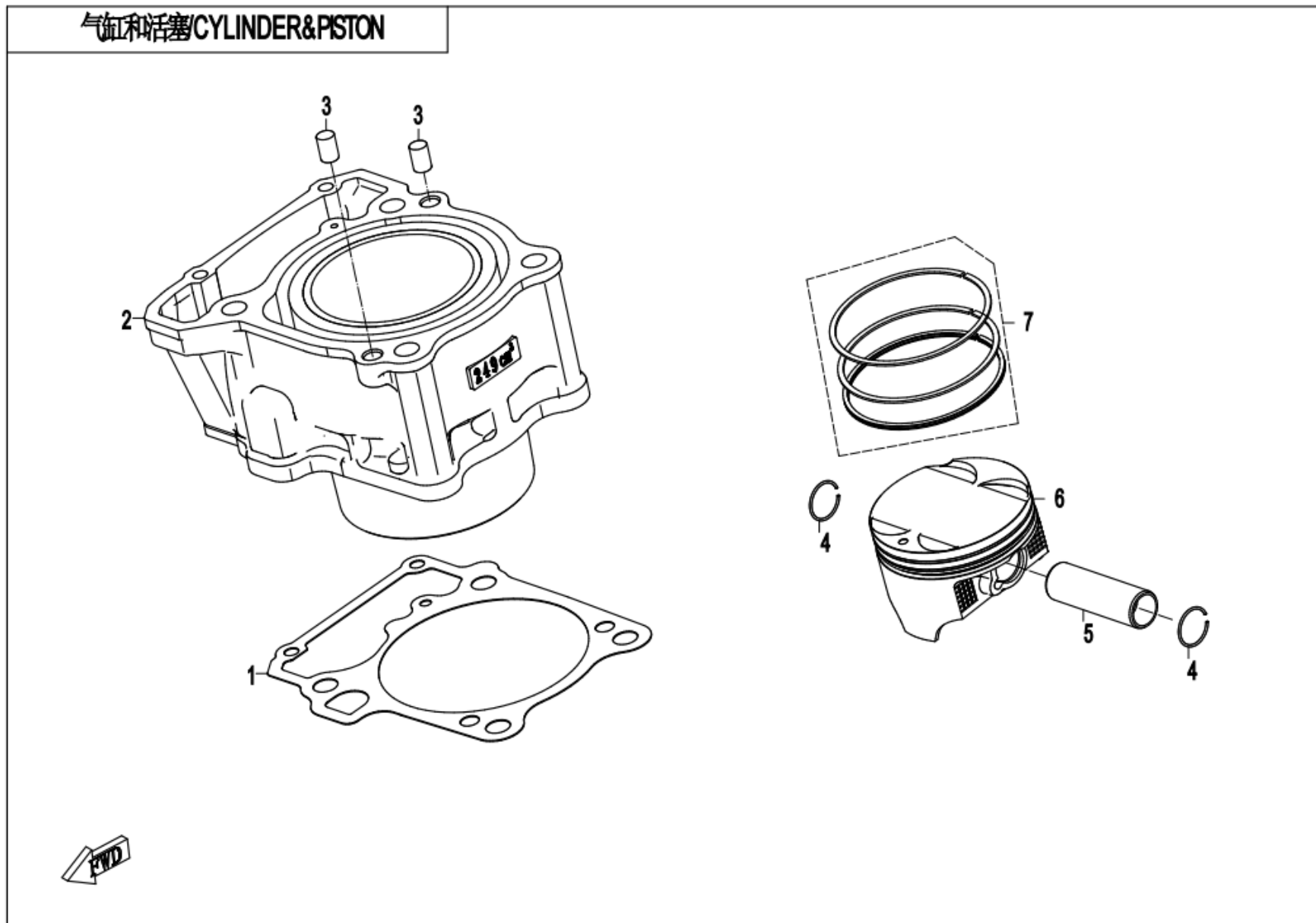
E02-2 气缸盖分总成 CYLINDER COVER

气缸盖分总成 CYLINDER HEAD



Item No.	Parts Number	Parts Name(EN)	Parts Name(CN)	Qty	Specification
01	ODM0-022200-1BP00	CYLINDER BODY ASSY	气缸盖部件	1	
02	ODM0-022400	THERMOSTAT ASSY	恒温器组件	1	
03	ODM0-022005-0BP00	THERMOSTAT CAP	节温器盖	1	
03	ODM0-022005-0B200	THERMOSTAT CAP	节温器盖	1	MATTE BLACK
04	0010-023010-0010	BOLT M6x20	螺栓	2	M6x20
05	018B-022810	WATER TEMPERATURE SENSOR	水温传感器	1	
06	ODM0-022006	CONNECTING PIPE, THROTTLE BODY	节气门体连接管	1	
07	ODM0-022300	CLAMP, CONNECTING PIPE	连接管卡箍组件	1	
08	0180-022003-00001	STUD	双头螺柱	2	
09	0010-080013-0010	BOLT M6x22	螺栓	2	M6x22
10	ODM0-024500-10001	TENSIONER ASSY	张紧器组件	1	
11	ODM0-024011	SEALING GASKET, TENSIONER	张紧器密封垫	1	
12	0060-022001	O-SEAL RING	O形密封圈10×1.6	1	
13	OJYA-023001-00001	HEX FLANGE BOLT M6x6	六角大法兰面螺栓_M6X6	1	
14	0700-021200	SEAL RING, CYLINDER HEAD COVER BOLT	气缸盖罩螺栓密封圈	1	
15	ODM0-022008-00001	DAMPING BOLT, CYLINDER HEAD	缸盖减震螺栓	1	
16	0010-011016-00001	BOLT	螺栓	2	
17	0700-170200	SPARK PLUG	火花塞组件	1	
18	0700-022013-00001	BOLT M10x158, CYLINDER HEAD	气缸盖螺栓	4	M10x158
19	0700-022016	WASHER 10.5x19x2.3	垫圈	4	10.5x19x2.3
20	ODM0-022100	GASKET KIT, CYLINDER HEAD	气缸盖垫片组件	1	

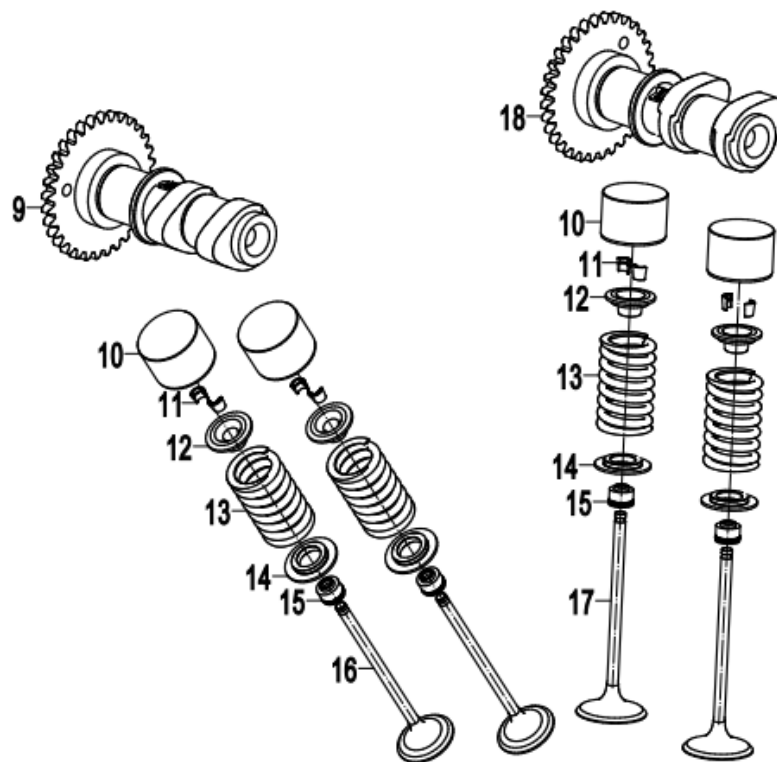
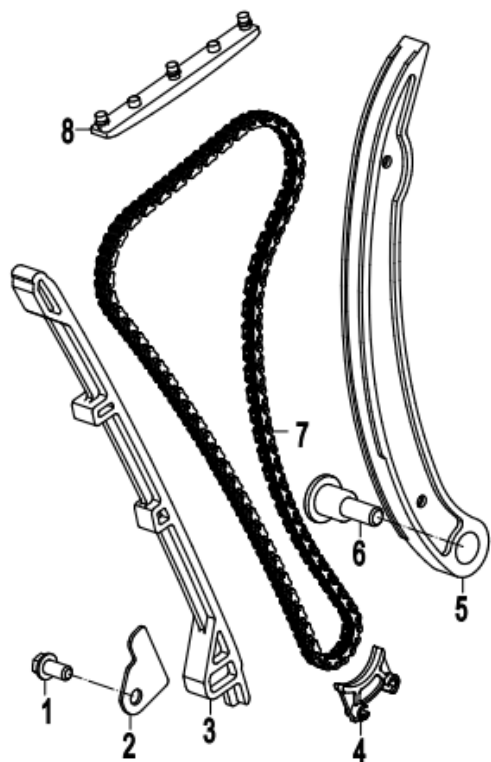
E02-3 气缸和活塞 CYLINDER & PISTON



Item No.	Parts Number	Parts Name(EN)	Parts Name(CN)	Qty	Specification
01	ODM0-023001-10000	SEAL GASKET, CYLINDER	气缸体密封垫	1	
02	ODM0-023100-0BP11	CYLINDER BODY ASSY	气缸体组件	1	
03	30410-00800	ROLLER	圆柱滚子	2	
04	0110-040006-0050	CIRCLIP, PISTON PIN	活塞销挡圈	2	
05	ODM0-040008	PISTON PIN	活塞销	1	
06	ODM0-040007-00020	PISTON (II)	活塞(II组)	1	
07	ODM0-040100	PISTON RING ASSY	活塞环组合	1	

E02-4 配气传动分总成 CAMSHAFT

配气传动分总成CAMSHAFT

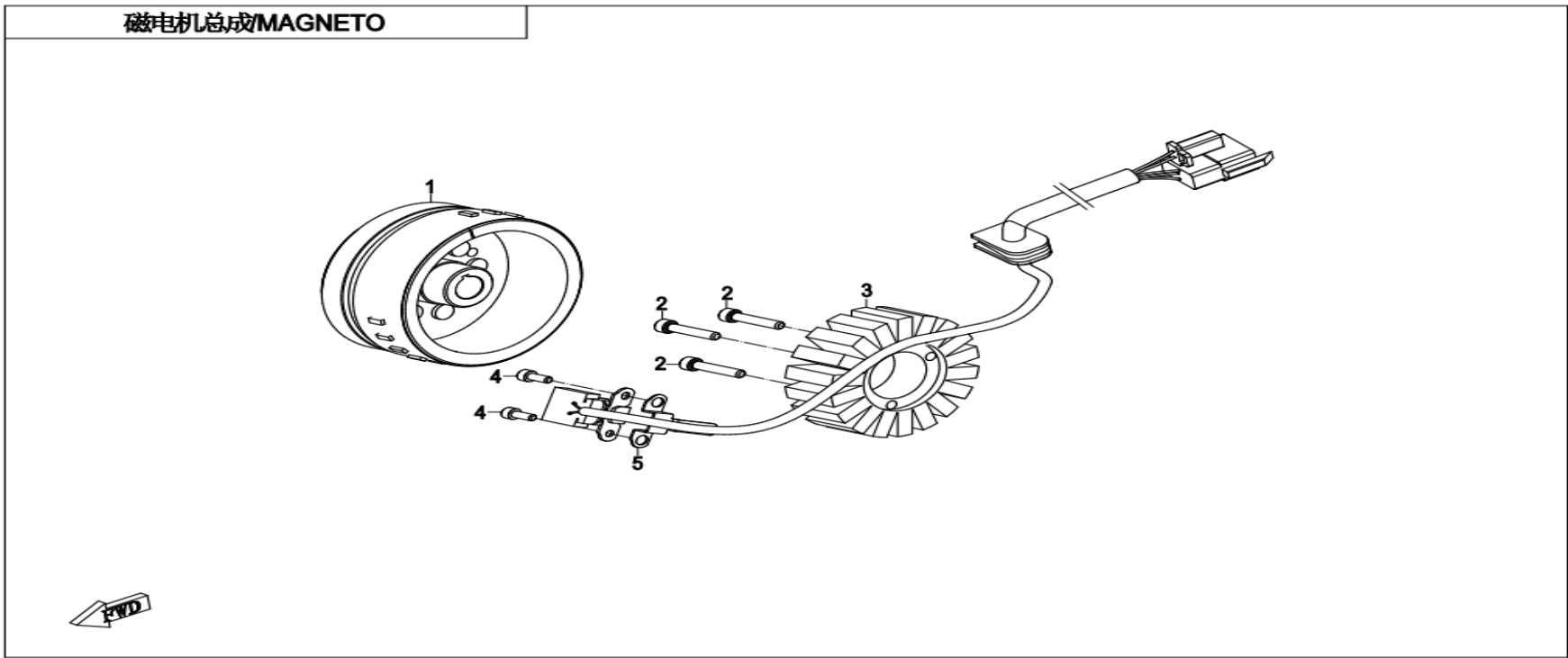


Item No.	Parts Number	Parts Name(EN)	Parts Name(CN)	Qty	Specification
01	0010-021019-0010	BOLT M6x12	螺栓	1	M6x12
02	ODM0-024002	STOPPER, CHAIN GUIDE	链条导板限位板	1	
03	ODM0-024008	CHAIN GUIDE	链条导板	1	
04	ODM0-024009	CHAIN GUARD	链条护卡	1	
05	ODMB-024002	TENSIONER PLATE	张紧板	1	
05	ODM0-024400	TENSION PLATE ASSY	张紧板组件	1	
06	ODMB-024001	THREADED SHAFT PIN	螺纹销轴	1	
06	ODM0-024001	PIN SHAFT	螺纹销轴	1	
07	ODM0-024300	TIMING CHAIN	正时链条组件	1	
08	ODM0-024005	CHAIN GUIDE BLOCK	导链块	1	
09	ODM0-024200-10000	CAMSHAFT, AIR EXHAUST	排气凸轮轴组件	1	
10	0700-022005-0090	TAPPET	挺柱	4	t=3.38
10	0700-022005-0100	TAPPET	挺柱	4	t=3.40
10	0700-022005-0110	TAPPET	挺柱	4	t=3.42
10	0700-022005-0120	TAPPET	挺柱	4	t=3.44
10	0700-022005-0130	TAPPET	挺柱	4	t=3.46
10	0700-022005-0140	TAPPET	挺柱	4	t=3.48
10	0700-022005-0150	TAPPET	挺柱	4	t=3.50
10	0700-022005-0160	TAPPET	挺柱	4	t=3.52
10	0700-022005-0170	TAPPET	挺柱	4	t=3.54
10	0700-022005-0180	TAPPET	挺柱	4	t=3.56
10	0700-022005-0190	TAPPET	挺柱	4	t=3.58
10	0700-022005-0200	TAPPET	挺柱	4	t=3.60
10	0700-022005-0210	TAPPET	挺柱	4	t=3.62
10	0700-022005-0220	TAPPET	挺柱	4	t=3.64
10	0700-022005-0230	TAPPET	挺柱	4	t=3.66
10	0700-022005-0240	TAPPET	挺柱	4	t=3.68
10	0700-022005-0250	TAPPET	挺柱	4	t=3.70
10	0700-022005-0260	TAPPET	挺柱	4	t=3.72
10	0700-022005-0270	TAPPET	挺柱	4	t=3.74

Item No.	Parts Number	Parts Name(EN)	Parts Name(CN)	Qty	Specification
10	0700-022005-0280	TAPPET	挺柱	4	t=3.76
10	0700-022005-0290	TAPPET	挺柱	4	t=3.78
10	0700-022005-0300	TAPPET	挺柱	4	t=3.80
10	0700-022005-0310	TAPPET	挺柱	4	t=3.82
10	0700-022005-0320	TAPPET	挺柱	4	t=3.84
10	0700-022005-0330	TAPPET	挺柱	4	t=3.86
10	0700-022005-0340	TAPPET	挺柱	4	t=3.88
10	0700-022005-0350	TAPPET	挺柱	4	t=3.90
10	0700-022005-0360	TAPPET	挺柱	4	t=3.92
10	0700-022005-0370	TAPPET	挺柱	4	t=3.94
10	0700-022005-0380	TAPPET	挺柱	4	t=3.96
10	0700-022005-0390	TAPPET	挺柱	4	t=3.98
10	0700-022005-0400	TAPPET	挺柱	4	t=4.00
10	0700-022005-0410	TAPPET	挺柱	4	t=4.02
10	0700-022005-0420	TAPPET	挺柱	4	t=4.04
10	0700-022005-0430	TAPPET	挺柱	4	t=4.06
10	0700-022005-0440	TAPPET	挺柱	4	t=4.08
10	0700-022005-0450	TAPPET	挺柱	4	t=4.10
10	0700-022005-0460	TAPPET	挺柱	4	t=4.12
10	0700-022005-0470	TAPPET	挺柱	4	t=4.14
10	0700-022005-0480	TAPPET	挺柱	4	t=4.16
10	0700-022005-0490	TAPPET	挺柱	4	t=4.18
10	0700-022005-0500	TAPPET	挺柱	4	t=4.20
10	0700-022005-0510	TAPPET	挺柱	4	t=4.22
10	0700-022005-0520	TAPPET	挺柱	4	t=4.28
10	0700-022005-0530	TAPPET	挺柱	4	t=4.24
10	0700-022005-0540	TAPPET	挺柱	4	t=4.26
10	0700-022005	TAPPET	挺柱	4	
11	0700-022004	LOCK CLIP, VALVE	气门锁夹	8	
12	0700-022003	UPPER SEAT, VALVE SPRING	气门弹簧上座	4	

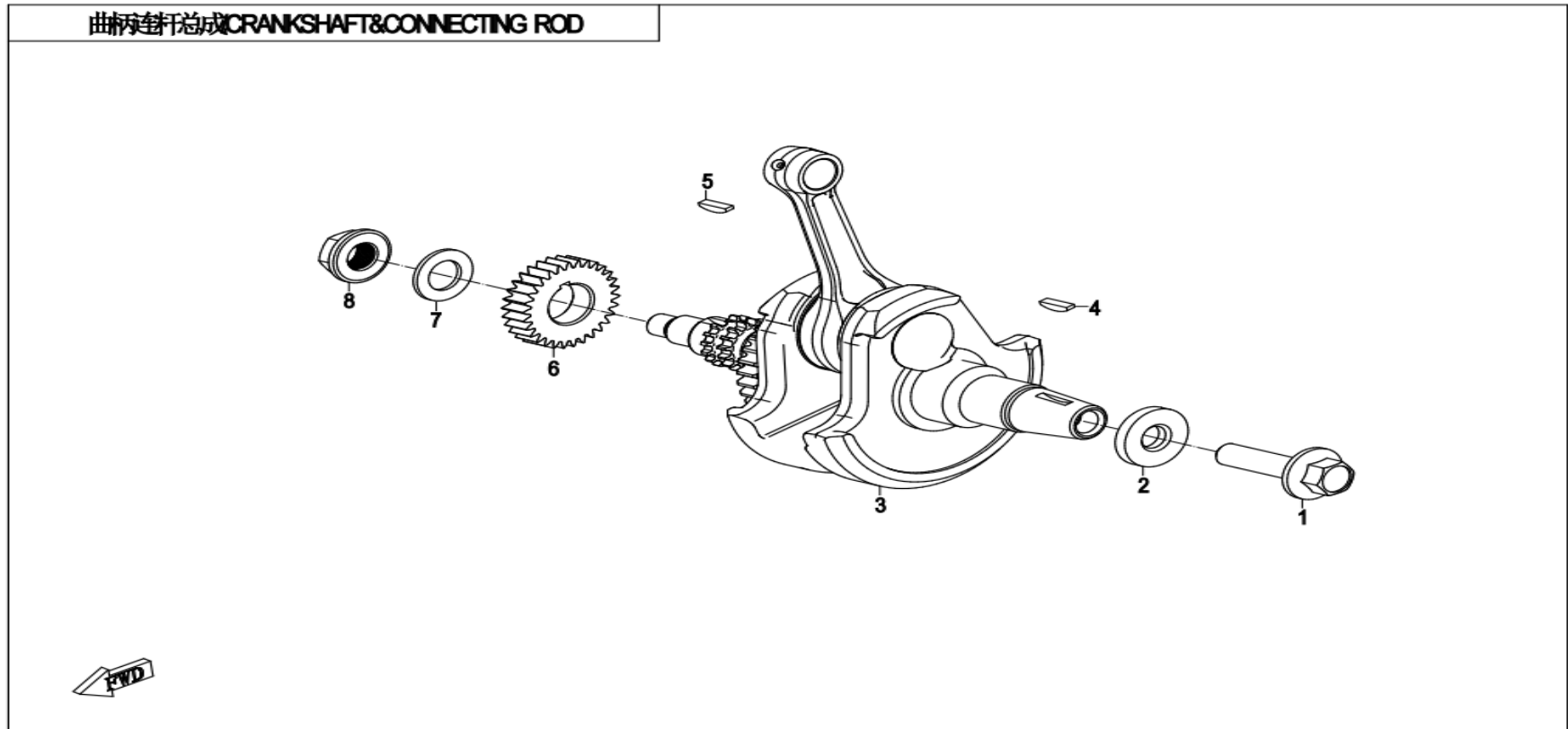
Item No.	Parts Number	Parts Name(EN)	Parts Name(CN)	Qty	Specification
13	0700-022007-10000	SPRING, VALVE	气门弹簧	4	HANG ZHOU SPRING
14	0700-022006	LOWER SEAT, VALVE SPRING	气门弹簧下座	4	
15	0700-022400-1000	SEAL RING, VALVE STEM	气门杆密封圈组件	4	
16	ODM0-022002-00001	AIR EXHAUST VALVE	排气门	2	
17	ODM0-022001-00001	AIR INTAKE VALVE	进气门	2	
18	ODM0-024100-10000	CAMSHAFT, AIR INTAKE	进气凸轮轴组件	1	

E03 磁电机总成 MAGNETO



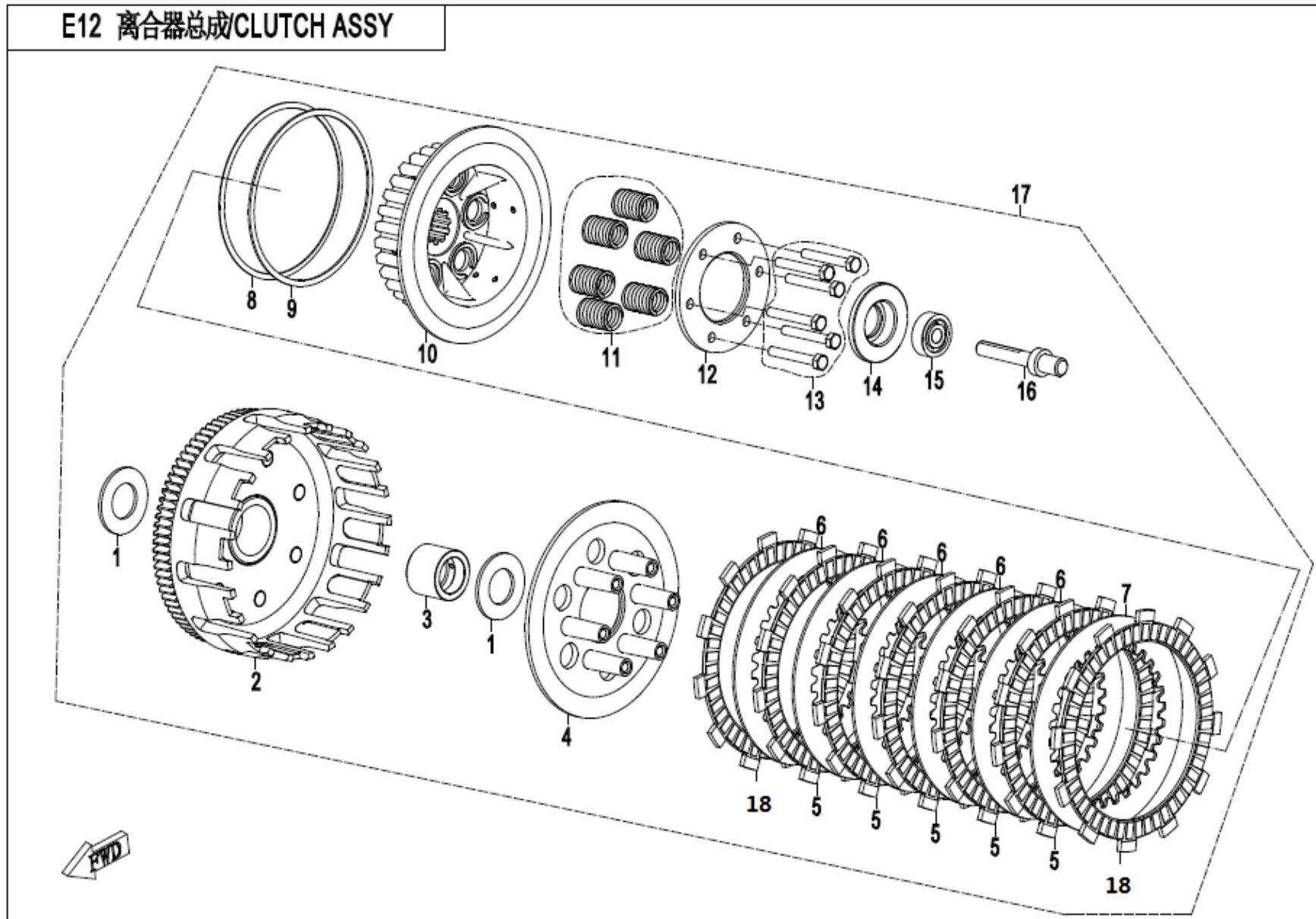
Item No.	Parts Number	Parts Name(EN)	Parts Name(CN)	Qty	Specification
01	ODM0-031000-10001	MAGNETO ROTOR ASSY.	磁电机转子组合	1	
02	0060-030003-0030	INNER HEX SCREW M6x30	内六角圆柱头螺栓	3	M6x30
03	ODMV-032000-0001	MAGNETO STATOR ASSY	磁电机定子组合	1	
04	30102-050012810	SCREW M5x12	螺钉	2	M5x12
05	ODM0-030001	CABLE FIX BRACKET, TRIGGER	触发器固线板	1	

E04 曲轴连杆总成 CRANKSHAFT&CONNECTING ROD



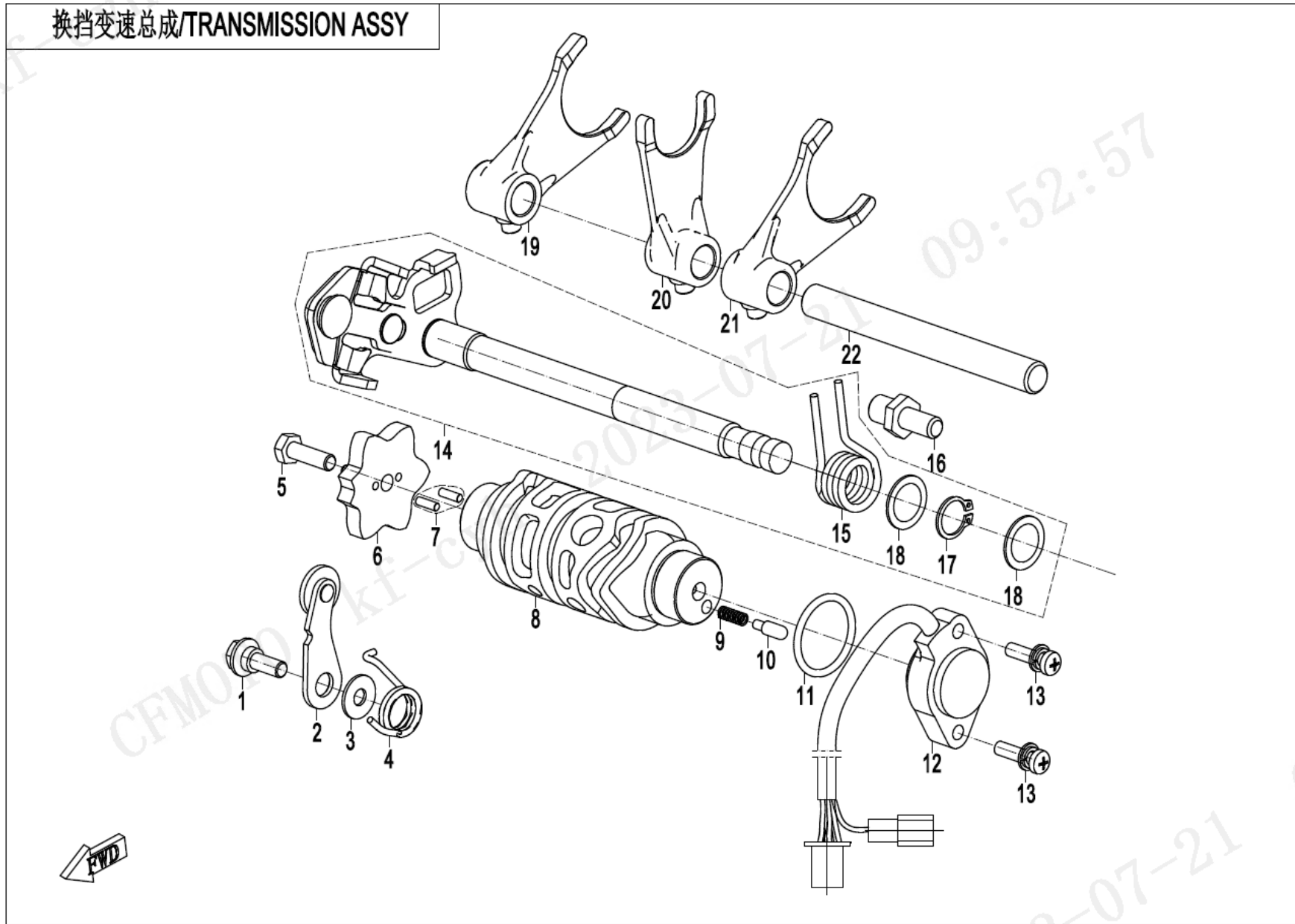
Item No.	Parts Number	Parts Name(EN)	Parts Name(CN)	Qty	Specification
01	0700-040001-20000	BOLT M12x1.25x45	螺栓M12×1.25×45	1	
02	0700-040002-00001	WASHER	垫圈	1	12.5x33x5
03	ODM0-041000-00012	CRANKSHAFT ASSEMBLY	曲柄连杆分总成	1	A GROUP
03	ODM0-041000-00022	CRANKSHAFT ASSEMBLY	曲柄连杆分总成	1	B GROUP
04	0010-040006	WOODRUFF KEY	半圆键	1	
05	ODM0-040009	WOODRUFF KEY	半圆键	1	
06	ODM0-040002	OUTPUT GEAR	输出齿轮	1	
07	ODM0-040003	CIRCLIP16	弹性垫圈16	1	
08	0110-040001-00001	NUT M16x1	螺母	1	M16x1

E12 离合器总成/CLUTCH ASSY



Item No.	Parts Number	Parts Name(EN)	Parts Name(CN)	Qty	Specification
01	ODM0-050004	WASHER 20x37x2	垫圈	2	
02	ODM0-051000	PRIMARY DRIVEN GEAR ASSY	初级从动齿轮组合	1	
03	ODM0-050003	COLLAR	轴套	1	
04	ODM0-052006	PRESSURE PLATE	压盘	1	
05	ODM0-052200	FRICTION DISC ASSY	摩擦片组件	5	
06	ODM0-052005	DRIVEN DISC 1	从动片I	5	
07	ODM0-052007	DRIVEN DISC 2	从动片II	1	
08	ODM0-052004-10000	BELLE SPRING	碟形弹簧	1	
09	ODM0-052003-10000	SPRING SEAT	碟簧座	1	
10	ODM0-052100	SLEEVE	中心套	1	
11	ODM0-052002	PRESS SPRING	压簧	6	
12	ODM0-052001	LIFT-SLAB	升板	1	
13	ODM0-052008	BOLT M5x25	螺栓	6	M5x25
14	ODM0-050002	BEARING SEAT	轴承座	1	
15	30400-00802	BEARING	滚动轴承	1	
16	ODM0-050001-10000	DAMPER ROD	顶杆	1	
17	ODM0-050000-30000	CLUTCH ASSY	离合器总成	1	
18	ODM0-052300-00001	FRICTION DISC ASSY 1	摩擦片组件I	2	

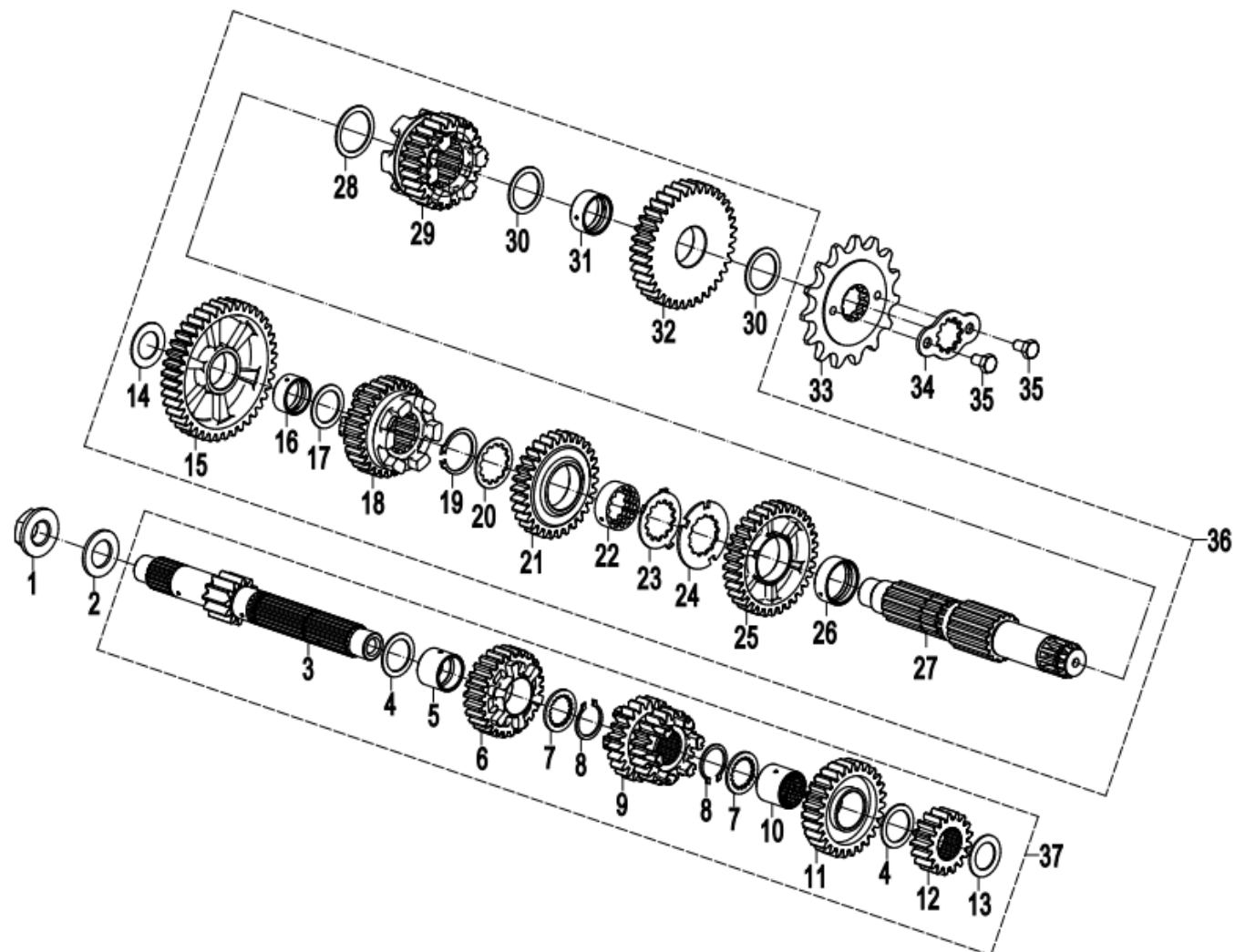
E06-1 换档变速总成(1) TRANSMISSION(1)



Item No.	Parts Number	Parts Name(EN)	Parts Name(CN)	Qty	Specification
01	0A70-065001-00001	BOLT, GEARSHIFT CAM	变档凸轮定位螺栓	1	
02	ODM0-065100-00001	SWING ARM, GEARSHIFT	换档定位摇臂分部件	1	
03	0700-064001	WASHER	垫圈	1	6.3x16.3x1.2
04	ODM0-065001	SPRING, SWING ARM, GEARSHIFT	换档定位摇臂扭簧	1	
05	30004-060016130	BOLT M6x16	螺栓	1	M6x16
06	ODM0-064002	CAM, GEARSHIFT DRUM	定位星轮	1	
07	30406-00303	NEEDLE BEARING	滚针	2	
08	ODM0-064001-00001	SHIFT DRUM	变速毂	1	
09	0A70-064003	SPRING	触头弹簧	2	
10	0A70-064004	CONTACTOR, GEAR SWITCH	档位开关触头	2	
11	0A70-060014	O-RING 26.2x2.4	O形圈	1	26.2x2.4
12	0A8V-066000-1001	GEAR POSITION SENSOR	档位接触器	1	
13	30116-050020410	SCREW ASSY M5x20	螺钉组合件	2	M5x20
14	ODM0-063000	SHIFT LEVER ASSY	换挡杆组合	1	
15	ODM0-063001	RETURN SPRING, GEARSHIFT	换挡杆回位扭簧	1	
16	ODM0-063002-00001	SHIFT POSITION SPRING PIN	换挡定位扭簧销	1	
17	30801-01405	CIRCLIPS FOR SHAFT	轴用弹性挡圈	1	14
18	ODM0-063003	WASHER 14x20x1	垫圈	2	
19	ODM0-060006	SHIFT FORK, RH	换挡拨叉(右)	1	
20	ODM0-060005	SHIFT FORK, MID	换挡拨叉(中)	1	
21	ODM0-060004	SHIFT FORK, LH	换挡拨叉(左)	1	
22	ODM0-060003	FORK SHAFT	拨叉轴	1	

E06-2 换档变速总成(2) TRANSMISSION(2)

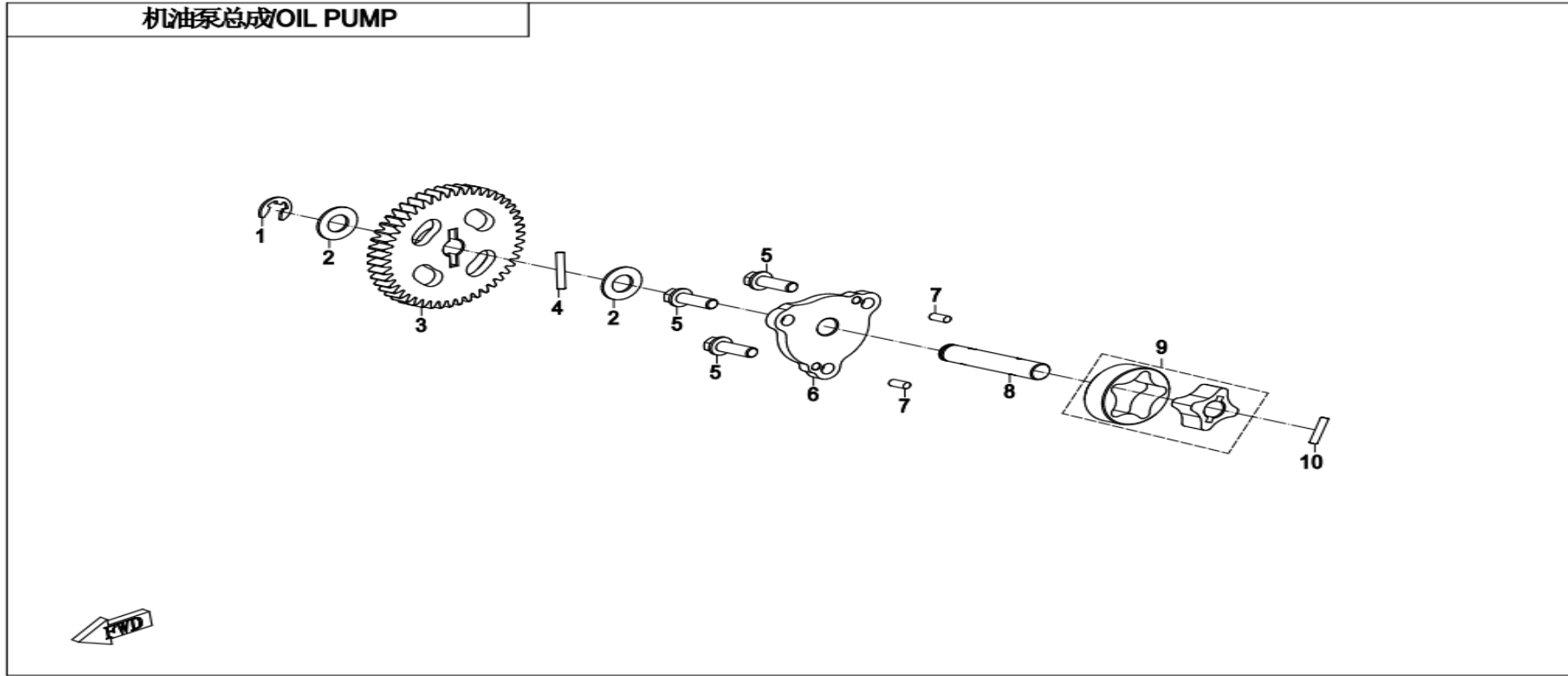
换档变速总成 TRANSMISSION



Item No.	Parts Number	Parts Name(EN)	Parts Name(CN)	Qty	Specification
01	0110-040001-00001	NUT M16x1	螺母	1	M16x1
02	ODM0-040003	CIRCLIP16	弹性垫圈16	2	
03	ODM0-061001	DRIVE SHAFT	主轴	1	
04	ODM0-061006	WASHER 20x27x1	垫圈	2	
05	ODM0-061007	BUSHING 20x23x17.2	衬套	1	
06	ODM0-061004	5TH GEAR, DRIVE	五档主动齿轮	1	26
07	ODM0-061008	SPLINE WASHER 20x26x1.6	花键垫圈	2	
08	ODM0-061012	CIRCLIPS FOR SHAFT 20	轴用弹性挡圈20	2	
09	ODM0-061003	3RD(>&<)>4TH GEAR, DRIVE	三四档主动齿轮	1	
10	ODM0-061009	SPLINE SLEEVE 23	花键套23	1	
11	ODM0-061005	6TH GEAR, DRIVE	六档主动齿轮	1	27
12	ODM0-061002	2ND GEAR, DRIVE	二档主动齿轮	1	17
13	ODM0-061011	WASHER 17x26x1	垫圈	1	
14	ODM0-062021	LOCK WASHER 17x28x1	锁止垫圈	1	
15	ODM0-062002	1ST GEAR, DRIVEN	一档从动齿轮	1	
16	ODM0-062019	BUSHING 20x23x10.5	衬套	1	
17	ODM0-062018	WASHER 20	止推垫圈20	1	
18	ODM0-062006	5TH GEAR, DRIVEN	五档从动齿轮	1	
19	ODM0-062017	CIRCLIPS FOR SHAFT 25	轴用弹性挡圈25	1	
20	ODM0-062016	SPLINE WASHER 25x31x1	花键垫圈	1	
21	ODM0-062005	4TH GEAR, DRIVEN	四档从动齿轮	1	
22	ODM0-062015	SPLINE SLEEVE 25x10	花键套	1	
23	ODM0-062014	LOCK WASHER 25	锁止垫圈25	1	
24	ODM0-062013	SPLINE WASHER 25x42x1.6	花键垫圈	1	
25	ODM0-062004	3RD GEAR, DRIVEN	三档从动齿轮	1	33
26	ODM0-062012	BUSHING 25x28x10	衬套	1	
27	ODM0-062001	SECONDARYSHAFT	副轴	1	
28	ODM0-062011	WASHER 25x32x1	垫圈	1	
29	ODM0-062007	6TH GEAR, DRIVEN	六档从动齿轮	1	
30	ODM0-062008	WASHER 22x29x1	垫圈	2	

Item No.	Parts Number	Parts Name(EN)	Parts Name(CN)	Qty	Specification
31	ODM0-062009	BUSHING 22x25x11	衬套	1	
32	ODM0-062003	2ND GEAR, DRIVEN	二档从动齿轮	1	36
33	ODM0-060001-00001	DRIVE SPROCKET	主动链轮	1	
34	ODM0-060002	GUARD, SPROKET	链轮挡板	1	
35	30004-060010810	BOLT M6x10	螺栓	2	M6x10
36	ODM0-062000	COUNTERSHAFT ASSY	副轴组合	1	
37	ODM0-061000	MAIN SHAFT ASSY	主轴组合	1	

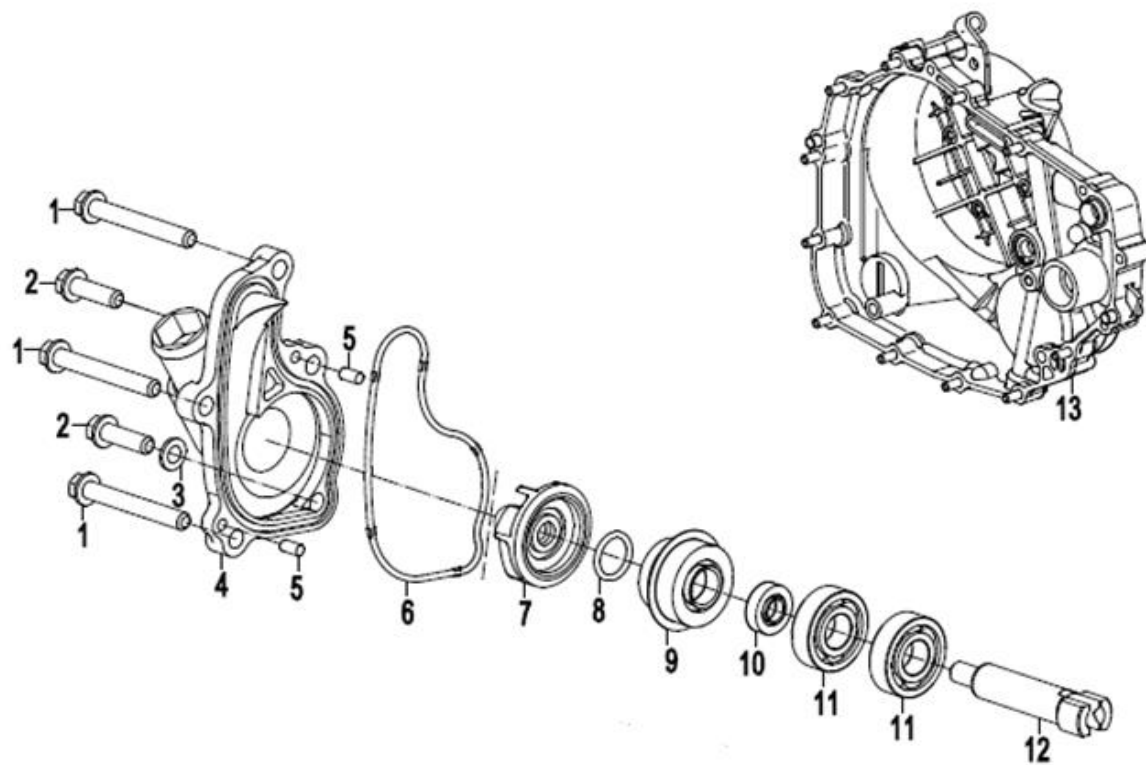
E07 机油泵总成 OIL PUMP



Item No.	Parts Number	Parts Name(EN)	Parts Name(CN)	Qty	Specification
01	30802-00805	SPLIT WASHER	开口挡圈	1	8
02	0800-011005	WASHER 10	垫圈10	2	10
03	ODM0-070003	GEAR, OIL PUMP	机油泵齿轮	1	
04	30406-00300	ROLLER NEEDLE	滚针	1	P3x21.8
05	0010-090005-0010	BOLT M6x16	螺栓	3	M6x16
06	ODM0-070002	COVER, OIL PUMP	机油泵盖	1	
07	30406-00401	ROLLER NEEDLE P4x7.8	滚针P4x7.8	2	P4x7.8
08	ODM0-070001	SHAFT,OIL PUMP	机油泵轴	1	
09	ODM0-070100	ROTOR ASSY, OIL PUMP	机油泵转子组合	1	
10	30406-00304	ROLLER NEEDLE	滚针	1	

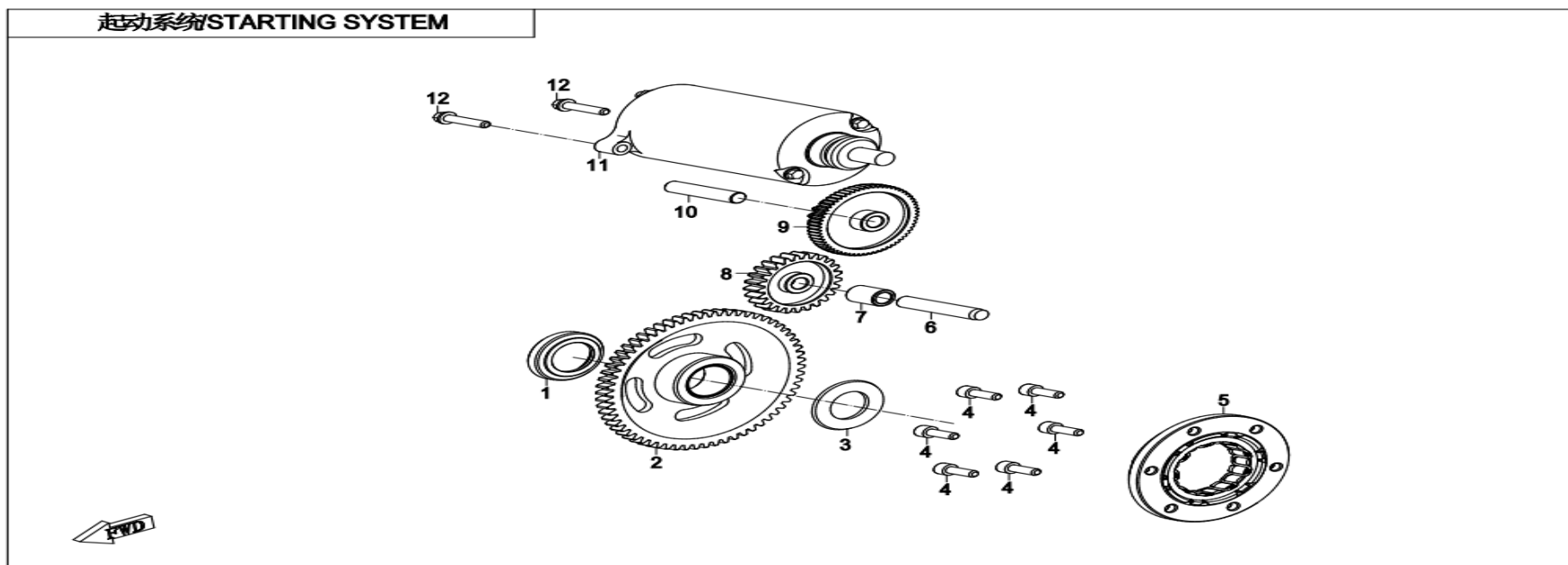
E08 水泵总成 WATER PUMP

E16 水泵总成 WATER PUMP ASSY



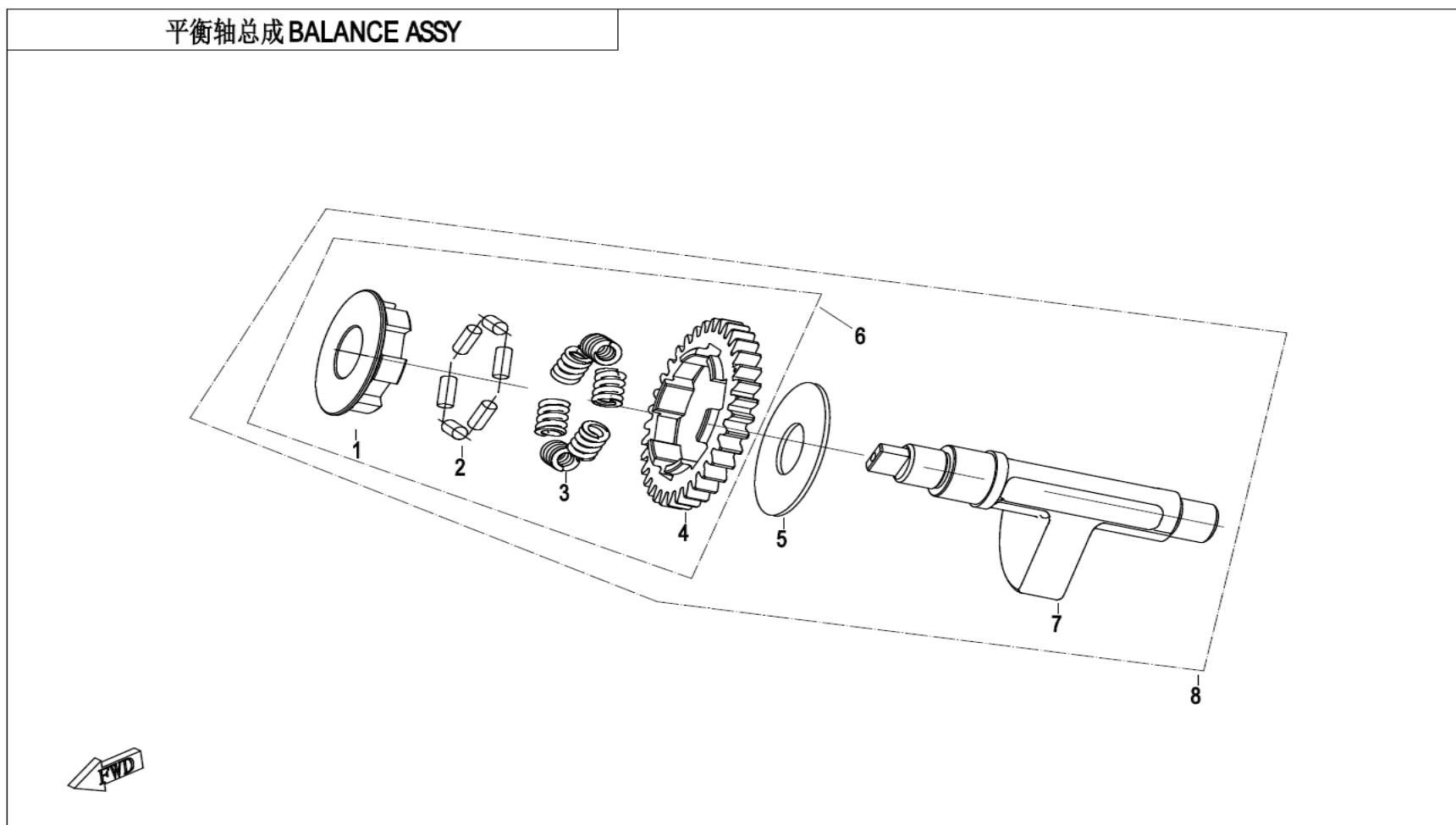
Item No.	Parts Number	Parts Name(EN)	Parts Name(CN)	Qty	Specification
01	0180-013208-0010	BOLT M6x45	螺栓	3	M6x45
02	0010-023010-0010	BOLT M6x20	螺栓	2	M6x20
03	0010-060009	WASHER 6	垫圈6	1	6
04	ODM0-080100-0B200	WATER PUMP COVER ASSY	水泵盖组件	1	MAUD SPIRIT BLACK
05	30406-00401	ROLLER NEEDLE P4x7.8	滚针P4×7.8	2	P4x7.8
06	ODM0-080003	SEAL RING, WATER PUMP COVER	水泵盖密封圈	1	
07	ODM0-080002	IMPELLER, WATER PUMP	水泵叶轮	1	
08	01A0-013005	O-SEAL RING	O形密封圈	1	13x2
09	0JWA-081000	WATER SEAL ASSY	水封组件	1	
10	0010-080009	OIL SEAL	油封	1	12x20x5
11	30400-01207	ROLLER BEARING	滚动轴承6001	2	
12	ODM0-080001-00001	SHAFT, WATER PUMP	水泵轴	1	
13	ODM0-013005-1HA04	RH SIDE COVER	右侧盖	1	
13	ODMB-013005-1HB01	RH SIDE COVER	右侧盖	1	SILVER GREY

E09 起动系统 STARTING SYSTEM



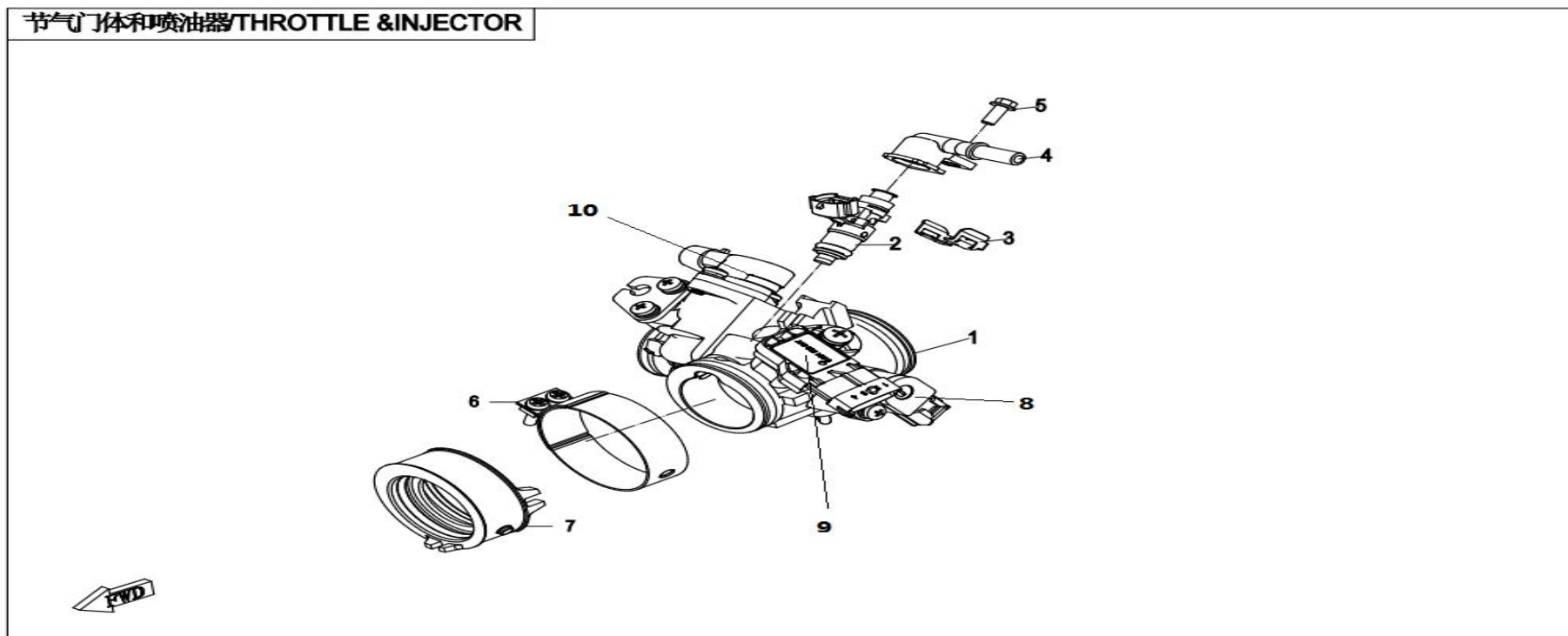
Item No.	Parts Number	Parts Name(EN)	Parts Name(CN)	Qty	Specification
01	ODM0-090007	SPACER RING	隔环	1	
02	ODM0-092000-00001	GEAR ASSY, STARTING MOTOR	起动大齿轮组件	1	
03	ODM0-090001	WASHER 27x44x1	垫圈	1	
04	30102-060016810	SCREW	螺钉M6×16	6	
05	ODM0-091000	OVERRIDING CLUTCH	超越离合器组件	1	
06	0800-011202	SHAFT, BREATHER	呼吸器轴	1	
07	ODM0-090004	BUSHING, MIDDLE GEAR	中间齿轮衬套	1	
08	ODM0-090002-00001	STARTING GEAR	起动中间齿轮	1	
09	ODM0-090006	DUAL GEAR	双联齿轮	1	
10	ODM0-090005	AXLE, DUAL GEAR	双联齿轮轴	1	
11	ODM0-093000	STARTING MOTOR	起动电机组件	1	
12	0010-021017-0010	BOLT M6x25	螺栓	2	M6x25

E16 平衡轴总成 BALANCER SHAFT



Item No.	Parts Number	Parts Name(EN)	Parts Name(CN)	Qty	Specification
05	ODM0-160002	WASHER 20x5x1.5	垫圈	1	
06	ODM0-162000-00010	DRIVEN GEAR ASSY, BALANCER SHAFT	平衡轴从动齿轮组合	1	A GROUP
06	ODM0-162000-00020	DRIVEN GEAR ASSY, BALANCER SHAFT	平衡轴从动齿轮组合	1	B GROUP
08	ODM0-160000-10010	BALANCER SHAFT ASSY	平衡轴总成	1	A GROUP
08	ODM0-160000-10020	BALANCER SHAFT ASSY	平衡轴总成	1	B GROUP

E17-B 节气门体和喷油器(CF250-6使用) THROTTLE&INJECTOR (ONLY FOR CF250-6)



Item No.	Parts Number	Parts Name(EN)	Parts Name(CN)	Qty	Specification
01	ODM#-170020-1101	THROTTLE BODY ASSY	节气门体总成	1	
02	ODM0-171000	FUEL INJECTOR	喷油器	1	
03	ODM0-173002	CIRCLIP	卡簧	1	
04	ODM0-173001	INJECTOR CAP	喷油器帽	1	
05	0700-012013-00001	BOLT M5x12	螺栓	1	M5x12
06	ODM0-022300	CLAMP, CONNECTING PIPE	连接管卡箍组件	1	
07	ODM0-022006	CONNECTING PIPE, THROTTLE BODY	节气门体连接管	1	
08	0A80-173100	THROTTLE POSITION SENSOR	节气门位置传感器	1	
09	0JY0-175000	T-MAP	进气温度、压力传感器	1	
10	ODM0-173200-10000	STEPPER MOTOR	步进电机	1	
11	018B-022810	WATER TEMPERATURE SENSOR	水温传感器	1	

